

Force / Sport Jet Piston Applications

Model Years	Cyl	Piston Size	Bore Size	Wiseco Pistons	Wiseco Rings	Vertex Piston	W/Pin Bearing	Rod Bearing	Rod Needles
50 HP 1984-87 **	2	STD	3.187	3167PS ①	3187KD	-	WP29-1	596	4038-16
	2	.020	3.207	3167P2 ①	3207KD	-			
		.030	3.217	3167P3 ①	3217KD	-			
		.040	3.227	-	3227KD	-			
<i>Bottom Guided Rod 818052</i>									
50 HP 1987-92 **	2	STD	3.312	3129PS ①	3312KD*	V2900 ①	WP29-1	596	4038-16
85 HP 1984-89	3	.010	3.322	-	-	V2910 ①	WP29-1	596	4038-16
120 HP 1990	4	.020	3.332	3129P2 ①	3332KD*	V2920 ①	WP29-1	596	4038-16
125 HP 1984-89	4	.030	3.342	3129P3 ①	3342KD*	V2930 ①	WP29-1	596	4038-16
150 HP 89-90	5	.040	3.352	3129P4 ①	3352KD*	-	WP29-1	596	4038-16
40 HP 1992-94	2	STD	3.375	3151PS ①	3375KD*	V5100 ①	WP29-1	596	4038-16
40 HP 1995	2	.010	3.385	3151P1 ①	3385KD*	V5110 ①	WP29-1	596	4038-16
50 HP 1991-95	2	.020	3.395	3151P2 ①	3395KD*	V5120 ①	WP29-1	596	4038-16
70 HP 1991-95	3	.030	3.405	3151P3 ①	3405KD*	V5130 ①	WP29-1	596	4038-16
90 HP 1991-95	3	.040	3.415	3151P4 ①	3415KD*	-	WP29-1	596	4038-16
<i>Bottom Guided Rod Casting # 818052</i>									
40 HP 1996-99	2	STD	3.375	3164PS ②	3375KD*	V6400 ②	4036-1	514	4039-16
50 HP 1996-99	2	.010	3.385	3164P1 ②	3385KD*	-	4036-1	514	4039-16
75 HP 1996-99	3	.020	3.395	3164P2 ②	3395KD*	V6420 ②	4036-1	514	4039-16
90 HP 1996-98	3	.030	3.405	3164P3 ②	3405KD*	V6430 ②	4036-1	514	4039-16
120 HP 1996-99	4	.040	3.415	3164P4 ②	3415KD*	-	4036-1	514	4039-16
<i>Top Guided Rod #9612</i>									
120 HP 1991-95	4	STD	3.375	3151PS ①	3375KD*	V5100 ①	WP29-1	596	4038-16
150 HP 1991-94	5	.010	3.385	3151P1 ①	3385KD*	V5110 ①	WP29-1	596	4038-16
<i>Bottom Guided Rod Casting # 818052</i>									
		.020	3.395	3151P2 ①	3395KD*	V5120 ①			
		.030	3.405	3151P3 ①	3405KD*	V5130 ①			
		.040	3.415	3151P4 ①	3415KD*	-			
SportJet 90 1993-96	3	STD	3.375	3151PS ①	3375KD*	V5100 ①	WP29-1	596	4038-16
SportJet 120 1995	4	.010	3.385	3151P1 ①	3385KD*	V5110 ①	WP29-1	596	4038-16
		.020	3.395	3151P2 ①	3395KD*	V5120 ①			
<i>Bottom Guided Rod Casting # 818052</i>									
		.030	3.405	3151P3 ①	3405KD*	V5130 ①			
		.040	3.415	3151P4 ①	3415KD*	-			
SportJet 95XR 1996-97	3	STD	3.375	3164PS ②	3375KD*	V6400 ②	4036-1	514	4039-16
SportJet 120XR 1996-00	4	.010	3.385	3164P1 ②	3385KD*	-	4036-1	514	4039-16
		.020	3.395	3164P2 ②	3395KD*	V6420 ②			
<i>Top Guided Rod #9612</i>									
		.030	3.405	3164P3 ②	3405KD*	V6430 ②			
		.040	3.415	3164P4 ②	3415KD*	-			

① Must use a WP29-1 Wrist Pin Bearing (Same as a Wiseco W5216)

② Uses 4036-29 wrist pin bearing and 2 Wp37W washers or 4036-1 (Top Guided Rods)

** In 1987 both 3.187 & 3.312 blocks were made, and in 1992 both 3.312 and 3.375 bore size blocks were made.

Check bore to insure proper piston.

* Wiseco Rings fit Wiseco Pistons Only

Wiseco 3151 Series and Pro-V5100 Series Piston for Force Engines:
 Many of the Force L-Drive Engines were with a piston which has two large holes machined in the piston skirt.
 Force produces the L-Drive motor with these holes to reduce the piston weight. Wiseco and Vertex were able to match the piston weight without the holes, which in turn produces a stronger piston.

Honda

Johnson
Evinrude

Mercury

Suzuki

Tohatsu

Yamaha

Rigging &
Shop Supplies



Force / Sport Jet Piston Applicatons

Model Years	Cyl	Rod Bolts	Connecting Rod	Upper Main	Lower Main	Center Main	Upper Seal	Lower Seal	Gasket Set	Head Gasket
50 HP 1984-87 **	2	RB3000	335R	NLA	NLA	596	18-0501	18-0501	1691	658
<i>Bottom Guided Rod 818052</i>										
50 HP 1987-92 **	2	RB3000	335R	207	NLA	596	2105	18-0501	1691-2	691
85 HP 1984-89	3	RB3000	335R	207	818	455	2141	2141	2874	369
120 HP 1990	4	RB3000	335R	207	818	455	2141	2141	2875	476
125 HP 1984-89	4	RB3000	335R	207	818	455	2141	2141	2875	476
150 HP 89-90	5	RB3000	335R	207	818	455	2141	2141	-	3858
40 HP 1992-94	2	RB3000	335R	207	NLA	596	2105	18-0501	1691-2	691
40 HP 1995	2	RB3000	335R	207	NLA	596	2105	18-0501	1691-3	691
50 HP 1991-95	2	RB3000	335R	207	NLA	596	2105	18-0501	1691-2	691
70 HP 1991-95	3	RB3000	335R	207	818	455	2141	2141	2874-1	369
90 HP 1991-95	3	RB3000	335R	207	818	455	2141	2141	2874-2	369
<i>Bottom Guided Rod Casting # 818052</i>										
40 HP 1996-99	2	RB3000	640N	207	NLA	955	2105	18-0501	1691-3	691
50 HP 1996-99	2	RB3000	640N	207	NLA	955	2105	18-0501	1691-3	691
75 HP 1996-99	3	RB3000	640N	207	818	455	2105	2141	2874-1	369
90 HP 1996-98	3	RB3000	640N	207	818	455	2105	2141	2874-3	369
120 HP 1996-99	4	RB3000	640N	207	818	455	2105	2141	2875-1	476
<i>Top Guided Rod #9612</i>										
120 HP 1991-95	4	RB3000	335R	207	818	455	2141	2141	2875	476
150 HP 1991-94	5	RB3000	335R	207	818	455	2141	2141	-	3858
<i>Bottom Guided Rod Casting # 818052</i>										
SportJet 90 1993-96	3	RB3000	335R	207	818	455	2141	2141	2874-4	369
SportJet 120 1995	4	RB3000	335R	207	818	455	2141	2141	2875-2	476
<i>Bottom Guided Rod Casting # 818052</i>										
SportJet 95XR 1996-97	3	RB3000	640N	207	818	455	2105	2141	2874-4	369
SportJet 120XR 1996-00	4	RB3000	640N	207	818	455	2105	2141	2875-2	476
<i>Top Guided Rod #9612</i>										

Wiseco 3129 & 3151 Series pistons take the WP29-1 bearing kit. OE pistons for the same engines take the WP29 bearing kit. A Wiseco W5216 bearing is the same as a Pro WP29-1

Important Reminder:
Call us BEFORE having your block bored. Although we do stock a lot of pistons, there are occasional backorder situations that could be avoided by checking for availability and boring to an available size.

Replacement Wiseco Rings can be ordered as well.
Wiseco ring numbers can be obtained by taking the bore size and adding a KD after it.
Example: A 3067PS piston has a bore diameter of 3.187".
The Wiseco ring set part number would be 3187KD

Honda

Johnson
Evinrude

Mercury

Suzuki

Tohatsu

Yamaha

Rigging &
Shop Supplies

Chrysler Piston Applications

Model	Cyl	Piston Size	Bore Size	Wiseco Pistons	Wiseco Rings	Vertex Piston	W/Pin Bearing	Rod Bearing	Rod Needles
50 HP 1981-83	2	STD	3.187	3167PS ①	3187KD	-	WP29-1	596	4038-16
55 HP 1970-76	2	.020	3.207	3167P2 ①	3207KD	-	WP29-1	596	4038-16
		.030	3.217	3167P3 ①	3217KD	-			
Bottom Guided Rod 818052		.040	3.227	-	3227KD	-			
70 HP 1970-73, 1979	2	STD	3.312	3129PS ①	3312KD	V2900 ①	WP29-1	596	4038-16
75 HP 1974-84	3	.010	3.322	-	-	V2910 ①	WP29-1	596	4038-16
85 HP 1970-73	3	.020	3.332	3129P2 ①	3332KD	V2920 ①	WP29-1	596	4038-16
85 HP 1978-84	3	.030	3.342	3129P3 ①	3342KD	V2930 ①	WP29-1	596	4038-16
Bottom Guided Rod 818052	3	.040	3.352	3129P4 ①	3352KD	-	WP29-1	596	4038-16
90 HP 1975-77	3	STD	3.312	3129PS ①	3312KD	V2900 ①	WP29-1	596	4038-16
90 HP 1983-84	3	.010	3.322	-	-	V2910 ①	WP29-1	596	4038-16
100 HP 1980-81, 1983-84	4	.020	3.332	3129P2 ①	3332KD	V2920 ①	WP29-1	596	4038-16
105 HP 1970-78, 1982-83	4	.030	3.342	3129P3 ①	3342KD	V2930 ①	WP29-1	596	4038-16
115 HP 1983-84	4	.040	3.352	3129P4 ①	3352KD	-	WP29-1	596	4038-16
Bottom Guided Rod 818052		.030	3.342	3129P3 ①	3342KD	V2930 ①			
		.040	3.352	3129P4 ①	3352KD	-			
120 HP 1970-77	4	STD	3.312	3129PS ①	3312KD	V2900 ①	WP29-1	596	4038-16
125 HP 1982	4	.010	3.322	-	-	V2910 ①	WP29-1	596	4038-16
130 HP 1972-73	4	.020	3.332	3129P2 ①	3332KD	V2920 ①	WP29-1		
Bottom Guided Rod 818052		.030	3.342	3129P3 ①	3342KD	V2930 ①			
		.040	3.352	3129P4 ①	3352KD	-			
115 HP 1978-80	4	STD	3.375	3151PS ①	3375KD	V5100 ①	WP29-1	596	4038-16
135 HP 1976-77	4	.010	3.385	3151P1 ①	3385KD	V5110 ①	WP29-1	596	4038-16
140 HP 1978-84	4	.020	3.395	3151P2 ①	3395KD	V5120 ①	WP29-1	596	4038-16
		.030	3.405	3151P3 ①	3405KD	V5130 ①			
Bottom Guided Rod 818052		.040	3.415	3151P4 ①	3415KD	-			

① Must Use a WP29-1 wrist pin bearing. Same as a Wiseco W5216

* Wiseco Rings fit Wiseco Pistons Only

Wiseco 3151 Series and Pro-V5100 Series Piston for Force Engines:
 Many of the Force L-Drive Engines were with a piston which has two large holes machined in the piston skirt.
 Force produces the L-Drive motor with these holes to reduce the piston weight. Wiseco and Vertex were able to match the piston weight without the holes, which in turn produces a stronger piston.

Important Reminder:

Call us BEFORE having your block bored. Although we do stock a lot of pistons, there are occasional backorder situations that could be avoided by checking for availability and boring to an available size.

Replacement Wiseco Rings can be ordered as well.

Wiseco ring numbers can be obtained by taking the bore size and adding a KD after it.

Example: A 3067PS piston has a bore diameter of 3.187".

The Wiseco ring set part number would be 3187KD

Honda

Johnson
Evinrude

Mercury

Suzuki

Tohatsu

Yamaha

Rigging &
Shop Supplies

Chrysler Piston Applications

Model	Cyl	Rod Bolts	Connecting Rod	Upper Main	Lower Main	Center Main	Upper Seal	Lower Seal	Gasket Set	Head Gasket
50 HP 1981-83	2	RB3000	NLA	NLA	NLA	596	18-0501	18-0501	1691	658
55 HP 1970-76	2	RB3000	335R	NLA	NLA	NLA	18-0501	18-0501	1691	658
<i>Bottom Guided Rod 818052</i>										
70 HP 1970-73, 1979	2	RB3000	335R	207	NLA	596	2105	18-0501	1691-2	691
75 HP 1974-84	3	RB3000	335R	207	818	455	2141	2141	2874	369
85 HP 1970-73	3	RB3000	335R	207	818	455	2141	2141	2874	369
85 HP 1978-84	3	RB3000	335R	207	818	455	2141	2141	2874	369
Bottom Guided Rod 818052	3	RB3000	335R	207	818	455	2141	2141	2874	369
90 HP 1975-77	3	RB3000	335R	207	818	455	2141	2141	2874	369
90 HP 1983-84	3	RB3000	335R	207	818	455	2141	2141	2874	369
100 HP 1980-81, 1983-84	4	RB3000	335R	207	818	455	2141	2141	2875	476
105 HP 1970-78, 1982-83	4	RB3000	335R	207	818	455	2141	2141	2875	476
115 HP 1983-84	4	RB3000	335R	207	818	455	2141	2141	2875	476
<i>Bottom Guided Rod 818052</i>										
120 HP 1970-77	4	RB3000	335R	207	818	455	2141	2141	2875	476
125 HP 1982	4	RB3000	335R	207	818	455	2141	2141	2875	476
130 HP 1972-73	4	RB3000	335R	207	818	455	2141	2141	2875	476
<i>Bottom Guided Rod 818052</i>										
115 HP 1978-80	4	RB3000	335R	207	818	455	2141	2141	2875	476
135 HP 1976-77	4	RB3000	335R	207	818	455	2141	2141	2875	476
140 HP 1978-84	4	RB3000	335R	207	818	455	2141	2141	2875	476
<i>Bottom Guided Rod 818052</i>										

Honda

Johnson
Evinrude

Mercury

Suzuki

Tohatsu

Yamaha

Rigging &
Shop Supplies

Bore: 3.332"



**Bore:
3.322"**

2 Rectangular Rings

260-10

Ring Kit, Piston .010
Force 85-125 Chrysler 70-135
X-ref # FSA335260
Retail: \$26.73 D16L03R



NOT ACTUAL PRODUCT

260-20

Ring Kit, Piston .020
Force 85-125 Chrysler 70-135
X-ref #
Retail: \$26.73 D16L03R



**Bore:
3.375"**

8564

Ring Kit, Piston STD. OEM
Force 40-120 1998-99
Sportjet 120XR 1996-00
X-ref # 39-828564A4
Retail: \$53.60 D36L19R



NOT ACTUAL PRODUCT

Bore: 3.405"

8564-30

Ring Kit, Piston .030 OEM
Force 40-120 1998-99
Sportjet 120XR 1996-00
X-ref # 39-828564A3, 828564A6
Retail: \$62.40 D41L60R

30° Taper Top Ring Rectangle Bottom



**Bore:
3.375"**

457

Ring Kit, Piston Std.
Force 40-150 Sportjet 90/120
X-ref # 39-820457A2
Retail: \$40.98 D23L39R



NOT ACTUAL PRODUCT

Bore: 3.395"

457-20

Ring Kit, Piston .020
Force 40-150 Sportjet 90/120
X-ref #
Retail: \$38.93 D22L22R



**Bore:
3.312"**

4630

Ring Kit, Piston .030
Force 85-125 Chrysler 70-135
X-ref # 39-818110A 1
Retail: \$25.95 D15L56R
2 Rectangular Rings

Item #	Description			Retail
6420V	ProV Piston Kit .020	Force 40-120hp	Bore Size 3.395 Top Guided	\$75.14 D45L08R
6430V	ProV Piston Kit .030	Force 40-120hp	Bore Size 3.405 Top Guided	\$75.14 D45L08R
5130	Piston Kit .030	Force 70-150 Chrysler 135/140	Bore Size 3.405 Top Guided	\$148.48 D85L82R
18-4633	Sierra Piston Kit .010	Force 70-150 Chrysler 135/140	Sub V5110	\$124.00 D71L19R
18-4632	Sierra Piston Kit Std.	Force 70-150 Chrysler 135/140	Sub V5100	\$163.19 D91L22R
V2900	Vertex Piston Kit Std.	Force / Chrysler 50-130hp	Bore Size 3.312	\$85.54 D55L48R
V2910	Vertex Piston Kit .010	Force / Chrysler 50-130hp	Bore Size 3.322	\$85.54 D55L48R
V2920	Vertex Piston Kit .020	Force / Chrysler 50-130hp	Bore Size 3.332	\$85.54 D55L48R
V2930	Vertex Piston Kit .030	Force / Chrysler 50-130hp	Bore Size 3.342	\$85.54 D55L48R
V5100	Vertex Piston Kit Std.	Force 70-150 Chrysler 135/140	Bore Size 3.375 Bottom Guided	\$109.99 D70L00R
V5110	Vertex Piston Kit .010	Force 70-150 Chrysler 135/140	Bore Size 3.385 Bottom Guided	\$109.99 D70L00R
V5120	Vertex Piston Kit .020	Force 70-150 Chrysler 135/140	Bore Size 3.395 Bottom Guided	\$109.99 D70L00R
V5130	Vertex Piston Kit .030	Force 70-150 Chrysler 135/140	Bore Size 3.405 Bottom Guided	\$109.99 D70L00R
V6400	Vertex Piston Kit Std.	Force 40-120 SportJet 90/120	Bore Size 3.375 Top Guided	\$96.93 D67L85R
V6420	Vertex Piston Kit .020	Force 40-120hp	Bore Size 3.395 Top Guided	\$96.93 D67L85R
V6430	Vertex Piston Kit .030	Force 40-120hp	Bore Size 3.405 Top Guided	\$96.93 D67L85R
3129P2	Wiseco Piston Kit .020	Force / Chrysler 50-130hp	Bore Size 3.332	\$120.00 D67L20R
3129P3	Wiseco Piston Kit .030	Force / Chrysler 50-130hp	Bore Size 3.342	\$120.00 D67L20R
3129P4	Wiseco Piston Kit .040	Force / Chrysler 50-130hp	Bore Size 3.352	\$120.00 D67L20R
3129PS	Wiseco Piston Kit Std.	Force / Chrysler 50-130hp	Bore Size 3.312	\$120.00 D67L20R
3151P1	Wiseco Piston Kit .010	Force 70-150 Chrysler 135/140	Bore Size 3.385 Bottom Guided	\$122.00 D68L32R
3151P2	Wiseco Piston Kit .020	Force 70-150 Chrysler 135/140	Bore Size 3.395 Bottom Guided	\$122.00 D68L32R
3151P3	Wiseco Piston Kit .030	Force 70-150 Chrysler 135/140	Bore Size 3.405 Bottom Guided	\$122.00 D68L32R
3151P4	Wiseco Piston Kit .040	Force 70-150 Chrysler 135/140	Bore Size 3.415 Bottom Guided	\$122.00 D68L32R
3151PS	Wiseco Piston Kit Std.	Force 70-150 Chrysler 135/140	Bore Size 3.375" Bottom Guided	\$122.00 D68L32R
3164P1	Wiseco Piston Kit .010	Force 40-120hp	Bore Size 3.385 Top Guided	\$100.00 D56L00R
3164P2	Wiseco Piston Kit .020	Force 40-120hp	Bore Size 3.395 Top Guided	\$100.00 D56L00R
3164P3	Wiseco Piston Kit .030	Force 40-120hp	Bore Size 3.405 Top Guided	\$100.00 D56L00R
3164P4	Wiseco Piston Kit .040	Force 40-120hp	Bore Size 3.415 Top Guided	\$100.00 D56L00R
3164PS	Wiseco Piston Kit Std.	Force 40-120hp	Bore Size 3.375 Top Guided	\$100.00 D56L00R
3167P2	Wiseco Piston Kit .020	Chrysler Force 50/55hp	Bore Size 3.187	\$98.00 D54L88R
3167P3	Wiseco Piston Kit .030	Chrysler Force 50/55hp	Bore Size 3.207	\$98.00 D54L88R
3167PS	Wiseco Piston Kit Std.	Chrysler Force 50/55hp	Bore Size 3.187"	\$98.00 D54L88R

Honda

Johnson
Evinrude

Mercury

Suzuki

Tohatsu

Yamaha

Rigging &
Shop Supplies



Chrysler & Force Sleeve Chart

Engine				LA Sleeve			Advanced Sleeve			
Model	Cyl	Type	Notes	Size	1/16" Thick	3/32" Thick	1/8" Thick	Length O.D.	Length O.D.	Length O.D.
					Length O.D.	Length O.D.	Length O.D.			
35 HP	2	CI	Straight Sleeve no ports	3.00"	T30 5-1/2" 3-1/8"	LA30 5-1/2" 3-3/16"	L30 5-1/2" 3-1/4"	1011SA 5.250 3.125	1011SB 5.250 3.188	1011SC 5.250 3.250
40-50 HP Crossflow	2		Straight Sleeve no ports	3.187"				1064SA 5.050 3.313	1064SB 5.050 3.333	
60 HP Cross Flow	2	CI	Straight Sleeve no ports	3.187"	T603 5-1/2" 3-5/16"	LA603 5-1/2" 3-3/8"	L603 5-1/2" 3-7/16"	1127SA 5.225 3.750		
55 HP Model 559H9L	2	CI	Flanged Sleeve with ports	3.375"	FL042 5.230 3.500					
70 HP 90 HP 100 HP 125 HP 150 HP	3 3 4 4 5	CI	Straight Sleeve no ports	3.312	T607 5-9/16" 3-7/16"	LA607 5-9/16" 3.500	L607 5-9/16" 3-9/16"	1015SA 5.565 3.440	1015SB 5.565 3.503	1015SC 5.565 3.565
70 HP 90 HP 100 HP 125 HP 150 HP	3 3 4 4 5	CI	Flanged Sleeve no ports	3-5/16"	FL039 5-9/16" 3-7/16"			1015FA 5.565 3.440		
90 HP SportJet 115 HP 140 HP 150 HP	3 4 4 5	CI	Straight Sleeve no ports	3-3/8"	T70 5.550 3.500	LA70 5.550 3-9/16"	L70 5.550 3-5/8"	1049SA 5.510 3.500	1049SB 5.510 3.563	1049SC 5.510 3.625
115 HP 120 HP SportJet 140 HP	4 4 4	CI	Flanged Sleeve no ports	3-3/8"	FL094 5-1/2" 3.500			1049FA		

Honda

Johnson
Evinrude

Mercury

Suzuki

Tohatsu

Yamaha

Rigging &
Shop Supplies

ALWAYS WAIT UNTIL THE SLEEVE ARRIVES BEFORE BEGINNING ANY MACHINE WORK. Never assume that the stated model and year of the cylinder is correct. Always check to see if the sleeve ports match the cylinder ports.

Note: Pro Marine will not be responsible for any applications

Part #	Description	Retail	-
1015SA	ADV Sleeve W/o Port CI Chrysler/Force Bore 3.312	Outer Diameter 3.440	\$55.84 D41L88R
1015SB	ADV Sleeve W/o Port CI Chrysler/Force Bore 3.312	Outer Diameter 3.503	\$55.84 D41L88R
1015SC	ADV Sleeve W/o Port CI Chrysler/Force Bore 3.312	Outer Diameter 3.565	\$55.84 D41L88R
1127SA	ADV Sleeve W/o Ports CI Chrysler/Force 2Cyl Bore 3.187	Outer Diameter 3.750	\$87.52 D65L64R
FL042	LA Sleeve Flanged W Ports CI Chrysler Force	2Cyl Bore 3.375 OD 3.500	\$120.00 D72L00R
FL039	LA Sleeve Flanged W/o Ports CI Chrysler Force	Bore 3.312 OD 3 7/16	\$120.00 D72L00R
FL094	LA Sleeve Flanged W/o Ports CI Chrysler Force	Bore 3 3/8 OD 3.500	\$120.00 D72L00R
L607+4	LA Sleeve W/o Ports .040 CI Chrysler/Force Bore 3.312		\$82.50 D49L50R
LA607	LA Sleeve W/o Ports CI Chrysler/Force Bore 3.312	Outer Diameter 3.500	\$72.50 D43L50R
L607	LA Sleeve W/o Ports CI Chrysler/Force Bore 3.312	Outer Diameter 3 9/16	\$72.50 D43L50R
T607	LA Sleeve W/o Ports CI Chrysler/Force Bore 3.312	Outer Diameter 3 7/16	\$72.50 D43L50R

Honda

Johnson
Evinrude

Mercury

Suzuki

Tohatsu

Yamaha

Rigging &
Shop Supplies



6645R
Crankshaft Reconditioned
Force 75/90hp 3Cyl 13 spline
Core Charge Included
Cross Ref #:
488-828305A1,
\$400.00 D288L60R



6641R
Crankshaft Reconditioned
Force 120hp 93-96
15 Spline, Core Chrg Included
Cross Ref #:
400-817400A3,
\$400.00 D379L69R



6642R
Crankshaft Reconditioned
Force 120hp 95& Up
13 Spline, Core Chg. Included
Cross Ref #:
400-819462A1,
\$400.00 D379L69R



6644R
Crankshaft Reconditioned
SporJet 120hp 96 & Up
14 Spline, Core Chg. Incl.
Cross Ref #:
489-828306A2,
\$400.00 D379L69R



6643R
Crankshaft Recond. Long Stroke
Force 120hp 4Cyl 97-Up
13 Spline, Core Chg. Inc
Cross Ref #:
489-828306A1, 489-828306T1
\$400.00 D379L69R



6640R
Crankshaft Reconditioned
Chrysler/Force 125-140hp 79-93
15 Spline, Core Chrg. Included
Cross Ref #:
400-817859A2,
\$400.00 D379L69R

All Reconditioned Crankshafts

Have the core charge included in your price.

Reconditioned Crankshafts will include paperwork instructing you how to return your core to receive your core charge back.

Core Charges vary from \$100 - \$200 depending on the crankshaft.

Ask your Sales Rep for exact core value.



CC220
Crocus Cloth 220 Grit
10ft Lengths
Cross Ref #:
\$6.75 D4L95R



316579N
Crankshaft Sealing Ring New
Force 60-120hp SportJet 90/95
Chrysler 75-150hp
Cross Ref #:
F316579,
\$12.20 D8L13R



859241
Flywheel Assy
Sport Jet 90, 120hp
Cross Ref #:
859241T10, 817494A 2
\$322.33 D257L86R



91800
Key, Flywheel
Mercury 40-300hp
Force 40-120
Cross Ref #:
28-91800,
\$1.61 D1L29R

Chrysler / Force

Connecting Rods & Bolts



335R
Connecting Rod Reman
Chrysler/Force 35-150hp thru95
Bottom Guided
Cross Ref #:
600-818052A4,
\$89.95 D50L00R



640N
Connecting Rod New
Mercury 2-3Cyl Top Guide
Force 40-120hp 96-up
Cross Ref #:
640-9612A6,
\$116.58 D69L95R



640N-1
Connecting Rod New OEM
Mercury 2-3Cyl Top Guided
Force 40-120hp 96-Up
Cross Ref #:
640-9612A 7,
\$308.25 D246L60R



RB3000
Rod Bolt Torque 180 in. lbs.
Mercury 15-115hp Inlines
Force 40-150hp
Cross Ref #:
10-91012,
\$3.60 D1L80R



28636
Screw Lower End Cap 1/4-20x.75
Mercury 135-200hp
Force, SportJet
Cross Ref #:
10-28636,
\$1.40 DL93R





**We stock Spark Plugs in both
NGK & Champion Brands
Call for Applications & Pricing**

CHRYSLER & FORCE BEARING CHART

HP	Year	Cyl	Upper Main Bearing	Center Main Bearing	Center Main Roller & Retainer	Lower Main Bearing	Rod Bearing Rollers	Caged Rod Bearing	Wrist Pin Bearing
40-50	1996-UP	2	207	-	-	-	4039-16	514	4036-1 ©
45	1974 1/2-83	2	-	-	-	-	4038-16	596	WP29-1
50	1981-87	2	206	-	-	-	4038-16	596	WP29-1
55	1972 1/2-76	2	-	-	-	-	4038-16	596	WP29-1
70	1970-73, 1979-80	3	207	455	433-1	818	4038-16	596	WP29-1
70	1989-95	3	207	455	433-1	818	4038-16	596	WP29-1
75	1996-99	3	207	455	433-1	818	4039-16	514	4036-1 ©
75	1974-83	3	207	455	433-1	818	4038-16	596	WP29-1
85	1973-88	3	207	455	433-1	818	4038-16	596	WP29-1
90	1974-77	3	207	455	433-1	818	4038-16	596	WP29-1
90	1989-95	3	207	455	433-1	818	4038-16	596	WP29-1
90	1996-99	3	207	455	433-1	818	4039-16	514	4036-1 ©
100	1979-81, 1983	4	207	455	433-1	818	4038-16	596	WP29-1
105	1972-78, 1982	4	207	455	433-1	818	4038-16	596	WP29-1
115	1977-83	4	207	455	433-1	818	4038-16	596	WP29-1
120	1971-77	4	207	455	433-1	818	4038-16	596	WP29-1
120	1989-95	4	207	455	433-1	818	4038-16	596	WP29-1
120	1996-99	4	207	455	433-1	818	4039-16	514	4036-1 ©
125	1983-88	4	207	455	433-1	818	4038-16	596	WP29-1
130	1972	4	207	455	433-1	818	4038-16	596	WP29-1
135	1974-77	4	207	455	433-1	818	4038-16	596	WP29-1
140	1978-83	4	207	455	433-1	818	4038-16	596	WP29-1
150	1990-94	5	207	455	433-1	818	4038-16	596	WP29-1

© For needles only order 4036-29

NOTE:

Wiseco 3129 & 3151 Series pistons take the WP29-1 bearing kit. OE pistons for the same engines take the WP29 bearing kit. A Wiseco W5216 bearing is the same as a Pro WP29-1



9260

Grease, Needle Bearing Assy
16 ounce Blue
JE 378642

Cross Ref #:

92-802868Q 1,378642, 378642, 92-802868Q1

\$9.99 D6L30R



CC220

Crocus Cloth 220 Grit
10ft Lengths

Cross Ref #:

\$6.75 D4L95R



CC320

Crocus Cloth 320 Grit
10Ft Lengths

Cross Ref #:

\$4.95 D3L00R

Honda

Johnson
Evinrude

Mercury

Suzuki

Tohatsu

Yamaha

Rigging &
Shop Supplies

Chrysler / Force Engine Bearings



Chrysler
Force

Honda



4036-1
Bearing, Wrist Pin w/ Washers
Mercury 30-150hp Inlines
Force 40-120hp SportJet 90-120
Cross Ref #:
29-47270 7 12-812876,
\$7.17 D5L02R



4036-29
Bearing Set, Wrist Pin Needles
Mercury 30-140hp Inlines
Force 40-120hp
Cross Ref #:
29-47270, 16120
\$4.79 D2L89R

Johnson
Evinrude



4036DP
Bearing, Needle Dealer Pack
Mercury Inline & Force
Qty 500
Cross Ref #:
\$91.66 D55L00R



WP37W
Washer, Wrist Pin
Mercury 30-225hp 2.0L-2.5L V6
Force 40-120, SportJet 95-240
Cross Ref #:
12-812876,
\$1.58 DL95R

Mercury



WP29-1
Bearing, Wrist Pin w/ Washers
Force 25-150hp Sportjet 90-120
Chrysler 20-140hp 26 Needles
Cross Ref #:
31-F335217-1, F366215, W5216
\$11.95 D6L95R



WP29
Bearing, Wrist Pin Needles
Force 25-150hp Sportjet 90-120
Chrysler 20-140hp
Cross Ref #:
31-F335217-1,
\$6.65 D3L99R

Suzuki



WP29DP
Bearing, Needle Dealer Pack
Force 25-150hp Sportjet 90-120
Chrysler 20-140 500 Needles
Cross Ref #:
F335217-1,
\$119.95 D64L50R



WP29W
Washer, Wrist Pin
Force 25-150hp Sportjet 90-120
Chrysler 20-55hp
Cross Ref #:
23-F366215,
\$1.66 D1L00R

Tohatsu

Yamaha

Rigging &
Shop Supplies

Upper & Center Main Bearings



206
Bearing, Ball Lower Main
Mercury 30-60hp SpJet 175-250
Johnson/Evinrude 40-75hp
Cross Ref #:
30-63742T, 377139, 18-1154, 21860,
377139, 9-51202
\$15.55 D9L30R



207
Bearing, Ball Lower Main
Mercury 50-70 SportJet 90-120
J/E 88-235 Chry/Force 40-150
Cross Ref #:
30-64424, 385503, 18-1395, 30-
F284659-2, 9-51106
\$17.67 D10L92R



455
Bearing Kit, Center Main
Chrysler Force 75-125hp
SportJet 90-120hp
Cross Ref #:
FA85655-1, 803604T, 18-1362,
22700, 31-67445, 31-819193
\$48.95 D29L95R



433-1
Roller & Retainer Center Main
Johnson/Evinrude 40-140hp
2763
Cross Ref #:
378252, 18-1352, 22800, 31-67445
\$17.00 D10L80R

Lower Main Bearing



818
Bearing, Lower Main w/ Seal
Force 75-125hp
Chrysler 70-140hp
Cross Ref #:
31-818050T 4,
\$109.95 D67L95R

Honda

Connecting Rod Bearings



514
Bearing, Rod Caged
Mercury 30-200hp 2cyl-2.5L
SportJet 90-240 Force 40-120
Cross Ref #:
31-17514A1,8M0045428,
\$27.03 D15L86R

Johnson
Evinrude



514P
Bearing, Rod Plastic Caged
Mercury 30-200hp 2cyl-2.5L
SportJet 90-240 Force 40-120
Cross Ref #:
31-17514A2,8M0045428,
\$22.99 D14L99R

Mercury



596
Bearing, Rod Caged
Mercury 35-140hp Inlines
Force 50-150 Chrysler 50-140
Cross Ref #:
31-62596A 1, 16210
\$44.95 D27L95R



4039-16
Bearing, CRod Needles 16Cnt
Mercury 40-200hp
Chrysler/Force 40-120hp 96-Up
Cross Ref #:
,
\$11.49 D6L67R

Suzuki



4038-16
Bearing, Rod Needles
Mercury 50-115hp Inlines
Force 50-150 Chrysler 50-140
Cross Ref #:
31-62596A2, 16210, 18-4038
\$15.95 D9L56R



4038DP
Bearing, Needle Dealer Pack
Mercury / Force
Qty 500
Cross Ref #:
,
\$91.66 D55L00R

Tohatsu

Yamaha

Rigging &
Shop Supplies

CHRYSLER / FORCE GASKETS

HP	Year	Cyl	Gasket Kit	Head Gasket	Crank Seals	
					Upper	Lower
35	1974-1982	2	1691	3856	18-0501	18-0501
40	1992 C Model	2	1691-2	691	2105	18-0501
40	1995-1999	2	1691-3	691	2105	18-0501
45	1972-1984	2	1691-1	3856	-	-
50	1981-86, 87 A Models	2	1691-1	3856	18-0501	18-0501
50	1987 B,C,D, - 89 A	2	1691-1	658	2105	18-0501
50	1989 B,C,D - 94	2	1691-2	691	2105	18-0501
50	1995-99	2	1691-3	691	2105	18-0501
55	1972 1/2-76	2	1691-1	3856	18-0501	18-0501
70	1970-73, 1979-80	3	2874	369	2141	2141
70	1991-95 Single Carb	3	2874-1	369	2141	2141
70	1999	3	2874-2	369	2141	2141
75	1974-79	3	2874	369	2141	2141
75	1980-83	3	2874	369	2141	2141
75	1996-98 Single Carb	3	2874-1	369	2105	2141
75	1999	3	2874-3	369	2105	2141
85	1970-73, 1977-79	3	2874	369	2141	2141
85	1980-89	3	2874	369	2141	2141
90	1974-77	3	2874	369	2141	2141
90	1983, 1989-90	3	2874	369	2141	2141
90	1991-94	3	2874-2	369	2141	2141
90	1995-99	3	2874-3	369	2105	2105
90-95	Sport Jet 1993-96	3	2874-4	369	2141 ②	2141
100	1979-81, 1983-84	4	2875	476	2141	2141
105	1972-78	4	2875	476	2141	2141
105	1982, 1979-83	4	2875	476	2141	2141
115	1977-83	4	2875	476	2141	2141
120	1971-77	4	2875	476	2141	2141
120	1989-94	4	2875	476	2141	2141
120	1995-99	4	2875-1	476	2105	2141
120	Sport Jet 1996-2000	4	2875-2	476	2141 ②	2141
125	1983-88 Later ①	4	2875	476	2141	2141
130	1972	4	2875	476	-	2141
135	1974-77	4	2875	476	2141	2141
140	1978-83	4	2875	476	2141	2141
150	1989-94	5	-	3858	2141	2141

① 1988 A & B Models

② 2141 upper seal fits only up to 1995. For 1996 & Up order #2105

NOTE:

All Gasket Kits include the Head Gasket but no crank seals.
Carb kits will not work on carbs with press in seats.



GS1-1
Gel Seal 50ml Tube
Crankcase Anaerobic Sealant

Cross Ref #:
324073,
\$24.95 D15L32R



1184
Rubber Gasket, ThreeBond
Synthetic

Cross Ref #:
351052,
\$10.10 D7L13R

Honda
Johnson
Evinrude
Mercury
Suzuki
Tohatsu
Yamaha
Rigging &
Shop Supplies

O. D. 1.564"
I. D. 1.109"

18-0501
Oil Seal, Crankshaft
Force 50hp 84-92
Chrysler 35-50hp
Cross Ref #:
26-819394,F40146-1,
\$19.94 D14L95R



O. D. 1.815"
I. D. 1.390"

2105
Oil Seal, Crankshaft
Force 40-60hp Chrysler 55/65hp
SportJet 90-120hp
Cross Ref #:
26-F474146, 828626, 18-0506
\$11.95 D6L95R



O. D. 1.815"
I. D. 1.200"

2141
Oil Seal, Crankshaft
Force 75-120hp
Sportjet 120
Cross Ref #:
26-828627, 18-8354, 26-F523146-1,
86000
\$9.99 D5L99R



8048
Bleed Hose 3/32" ID 10ft Roll
Universal
Cross Ref #:
32-892024122, 99130122
\$17.70 D9L10R

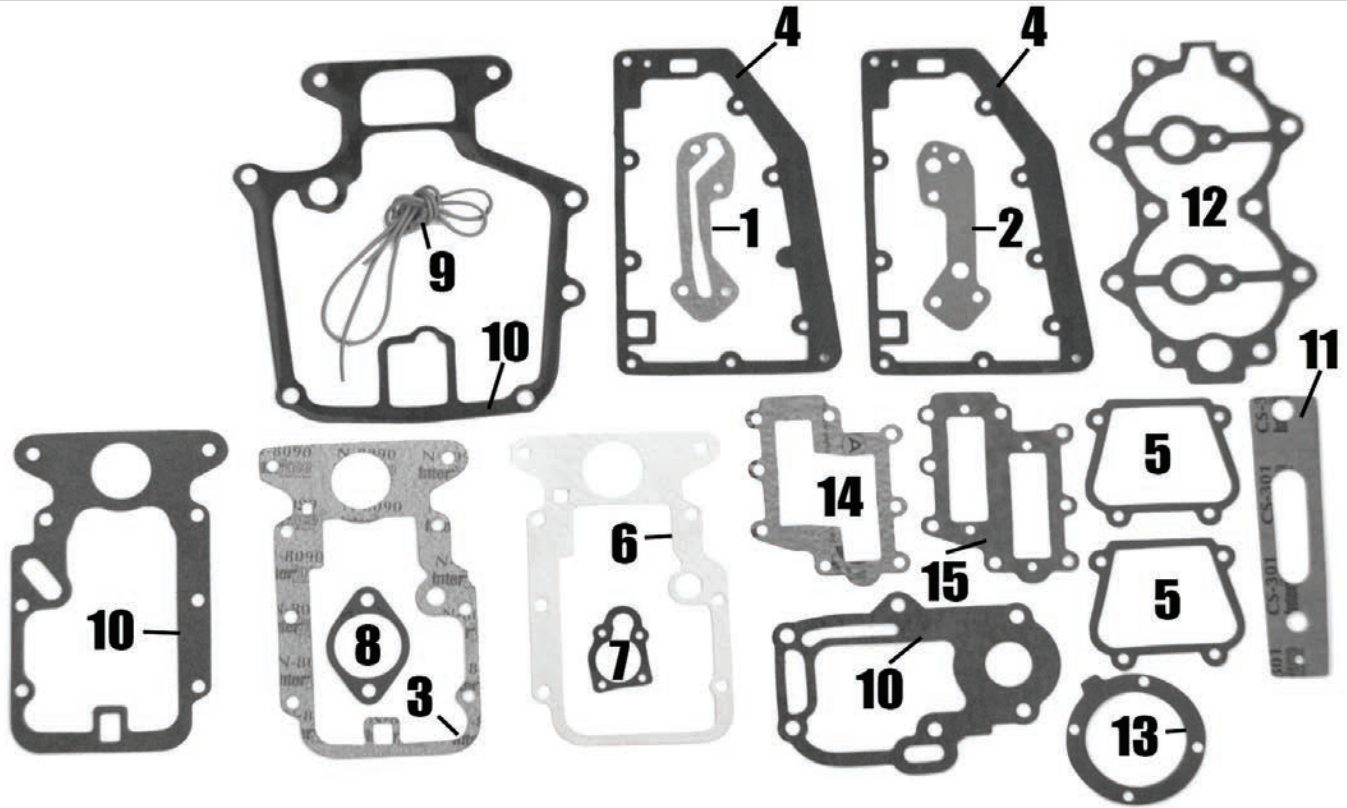


8050
Bleed hose 1/16" ID 10ft Roll
Universal
Cross Ref #:
32-99387 79,
\$15.40 D6L60R



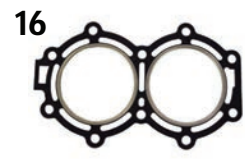
Part # 1691-1 No Head Gaskets (Force 35-55hp 1974-1984, 50hp 1987 B,C,D - 1989 A)

Honda
Johnson Evinrude
Mercury
Suzuki
Tohatsu
Yamaha
Rigging & Shop Supplies



Kit #:	1691-1		\$79.95	D48L21R		
Fits:						
Force 50hp 1988 A, B, C - 1989 A						
Ref #	Qty	Pro #	Oem Number	Description	Retail	-
1	1	*	27-F93472 1	Cylinder Drain Cover	-	-
2	1	*	27-F93748 1	Reed Plate	-	-
3	1	279-2	27-F307279 2	Upper Exhaust Gasket	-	-
4	2	0962*	27-F40154 4	Exhaust Port Plate	-	-
5	2	1236	27-F40223	Port Cover	\$6.05	D3L63R
6	1	279-1	27-F40279 1	Lower Exhaust Gasket	\$4.99	D2L12R
7	1	*	27-F97067	Thermostat	-	-
8	1	1250	27-F85906	Carb.	\$0.70	DL49R
9	1	SP1	184122 1	Seal	\$4.66	D2L80R
10	1	475-1	820475A 1	Powerhead Adapter Kit	\$12.99	D7L99R
11	1	*		Transfer Port		
12	1	*		Head Cover		
13	1	*		Bearing Cage Gasket		
14	1	*		Carb Adapter		
15	1	*		Deflector Plate		
16	1	3856 ①	F201529-1	Head Gasket	\$41.84	D23L77R
17	1	658 ①	F658529	Head Gasket	\$14.50	D8L77R

* Special Order
① Not included in Gasket Kit



3856
Gasket, Cylinder Head
35-55hp 1974-1982
X-ref # F201529-1
Retail: \$41.84 D23L77R



658
Gasket, Cylinder Head
50hp 1984-1987
X-ref # 27-F658529
Retail: \$14.50 D8L77R



18-0501
Oil Seal, Crankshaft
X-ref # 26-819394,F40146-1
Retail: \$19.94 D14L95R

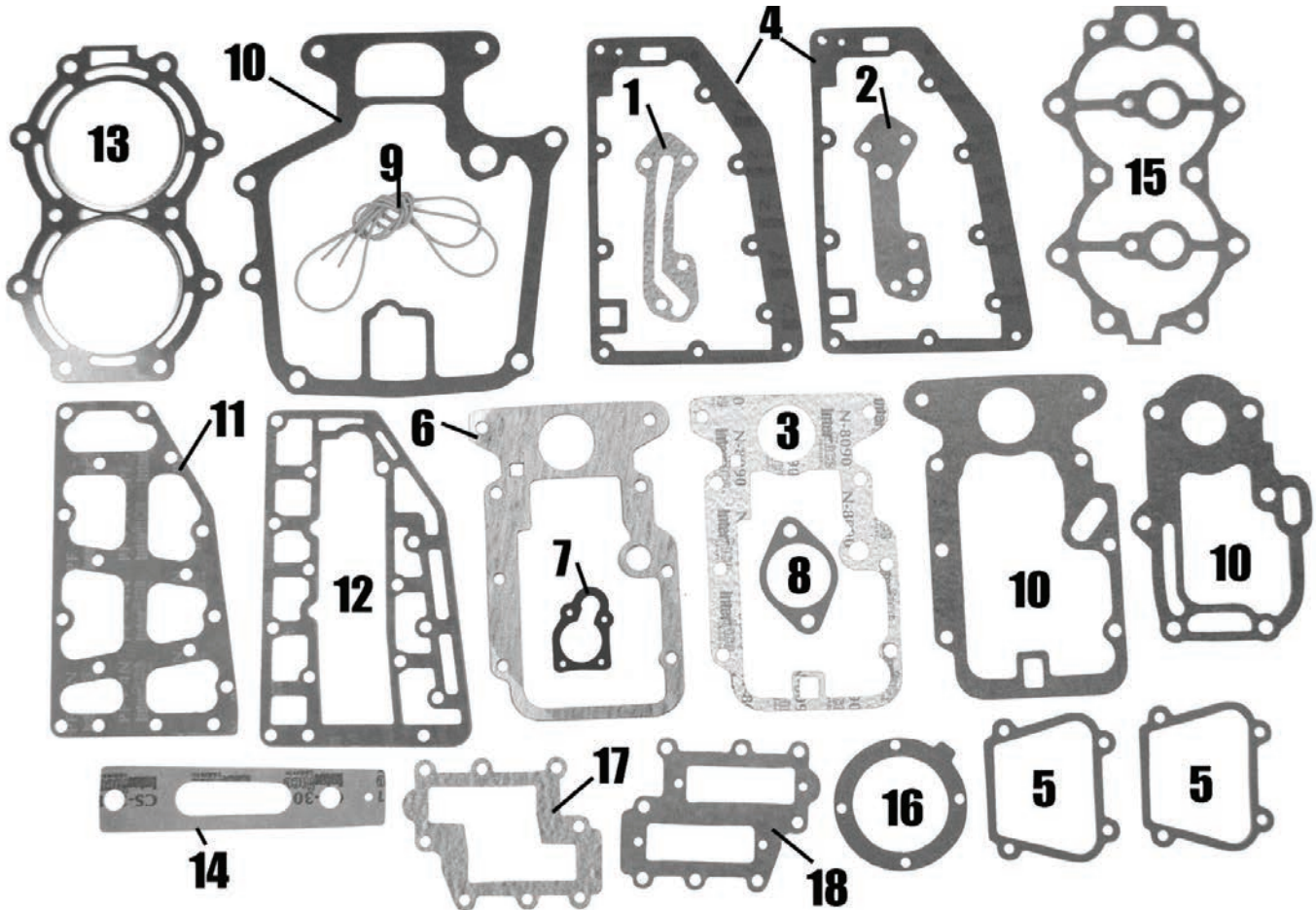


2105
Oil Seal, Crankshaft
X-ref # 26-F474146, 828626
Retail: \$11.95 D6L95R

Upper
O. D. 1.564"
I. D. 1.109"

Lower
O. D. 1.815"
I. D. 1.390"

Part # 1691-2 (Force 40hp 1989, 50hp 1989 B, C, D - 1994)



Kit #:	1691-2		\$78.95	D47L00R		
Fits:						
Force 40hp 1989, 50hp 1989 B, C, D - 1994						
Ref #	Qty	Pro #	Oem Number	Description	Retail	-
1	1	*	27-F93472 1	Cylinder Drain Cover	-	-
2	1	*	27-F93748 1	Reed Plate	-	-
3	1	279-2	27-F307279 2	Upper Exhaust Gasket	-	-
4	2	0962*	27-F40154 4	Exhaust Port Plate	-	-
5	2	1236	27-F40223	Port Cover	\$6.05	D3L63R
6	1	279-1	27-F40279 1	Lower Exhaust Gasket	\$4.99	D2L12R
7	1	*	27-F97067	Thermostat	-	-
8	1	1250	27-F85906	Carb.	\$0.70	DL49R
9	1	SP1	184122 1	Seal	\$4.66	D2L80R
10	1	475-1	820475A 1	Powerhead Adapter Kit	\$12.99	D7L99R
11	1	153	F691153	Outer Exhaust	\$3.80	D2L25R
12	1	154	F691154	Inner Exhaust	\$5.79	D3L02R
13	1	691	F691529 1	Head Gasket	\$18.75	D11L25R
14	1	*	F40833-4	Transfer Port		
15	1	*	F311996	Head Cover		
16	1	*	F366277	Bearing Cage Gasket		
17	1	*	F433168	Carb Adapter		
18	1	*	F433406	Deflector Plate		

* Special Order

Upper

O. D. 1.564"
I. D. 1.109"



18-0501

Oil Seal, Crankshaft

X-ref # 26-819394,F40146-1

Retail: \$19.94 D14L95R

Lower

O. D. 1.815"
I. D. 1.390"



2105

Oil Seal, Crankshaft

X-ref # 26-F474146, 828626

Retail: \$11.95 D6L95R

Honda

Johnson
Evinrude

Mercury

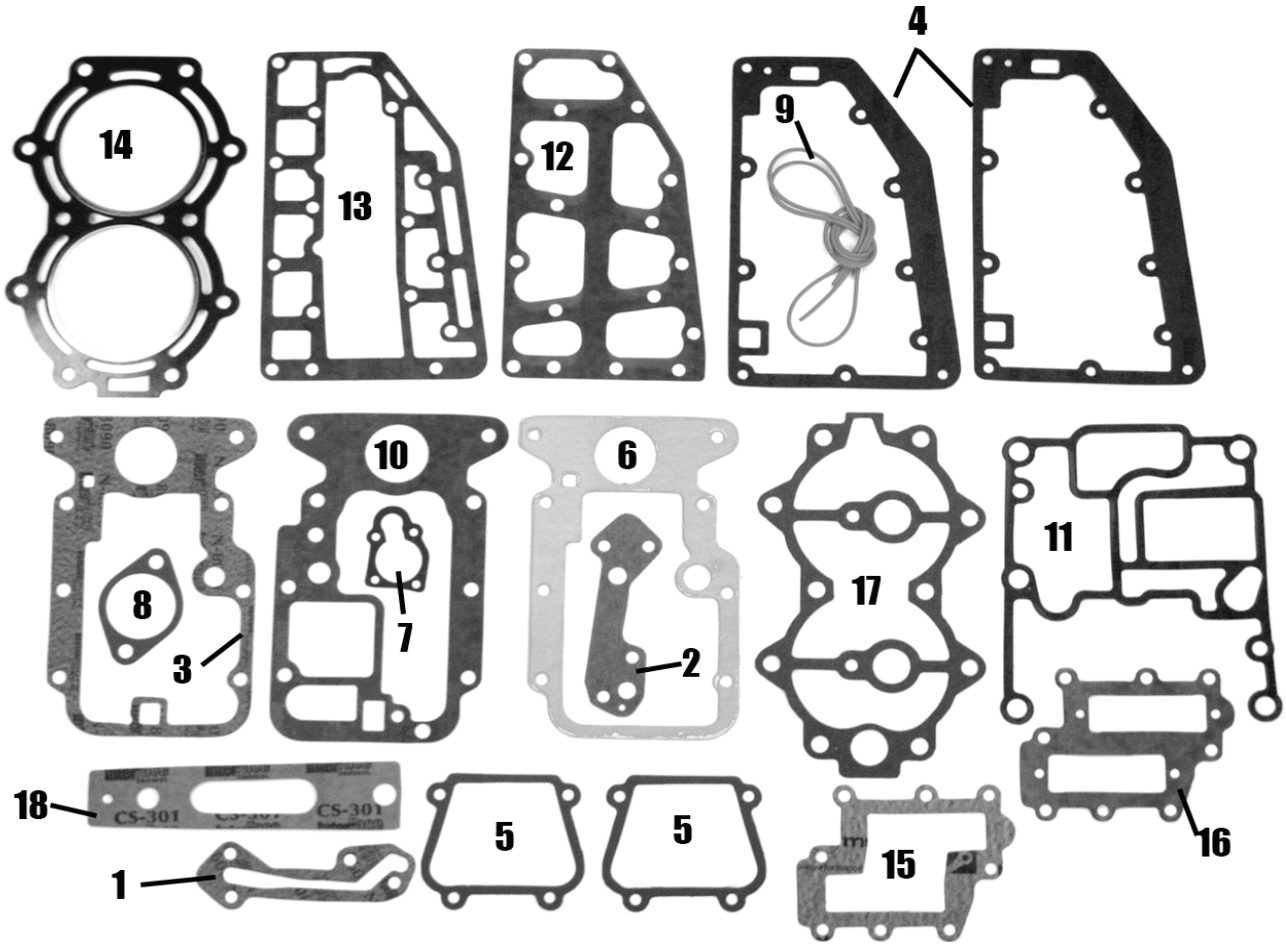
Suzuki

Tohatsu

Yamaha

Rigging &
Shop Supplies

Part # 1691-3 (Force 40-50hp 2 Cylinder 1995-1999)



Honda
Johnson Evinrude
Mercury
Suzuki
Tohatsu
Yamaha
Rigging & Shop Supplies

Kit #:		1691-3		\$85.95	D51L25R	
Fits:						
Force 40-50hp 2 Cylinder 1995-1999						
Ref #	Qty	Pro #	Oem Number	Description	Retail	-
1	1	*	27-F93472 1	Cylinder Drain Cover	-	-
2	1	*	27-F93748 1	Reed Plate	-	-
3	1	279-2	27-F307279 2	Upper Exhaust Gasket	-	-
4	2	0962*	27-F40154 4	Exhaust Port Plate	-	-
5	2	1236	27-F40223	Port Cover	\$6.05	D3L63R
6	1	279-1	27-F40279 1	Lower Exhaust Gasket	\$4.99	D2L12R
7	1	*	27-F97067	Thermostat	-	-
8	1	1250	27-F85906	Carb.	\$0.70	DL49R
9	1	SP1	184122 1	Seal	\$4.66	D2L80R
10	1	871-1	826871 1	Base Gasket	\$6.92	D4L84R
11	1	738	826738	Base Gasket	\$6.20	D3L27R
12	1	153	F691153	Outer Exhaust	\$3.80	D2L25R
13	1	154	F691154	Inner Exhaust	\$5.79	D3L02R
14	1	691	F691529 1	Head Gasket	\$18.75	D11L25R
15	1	*	F433168	Carb Adapter		
16	1	*	F433406	Deflector Plate		
17	1	*	F311996	Head Cover		
18	1	*	F40833-4	Transfer Port		

* Special Order

O. D. 1.564"
I. D. 1.109"

Upper



18-0501

Oil Seal, Crankshaft

X-ref # 26-819394,F40146-1

Retail: \$19.94 D14L95R

O. D. 1.815"
I. D. 1.390"

Lower



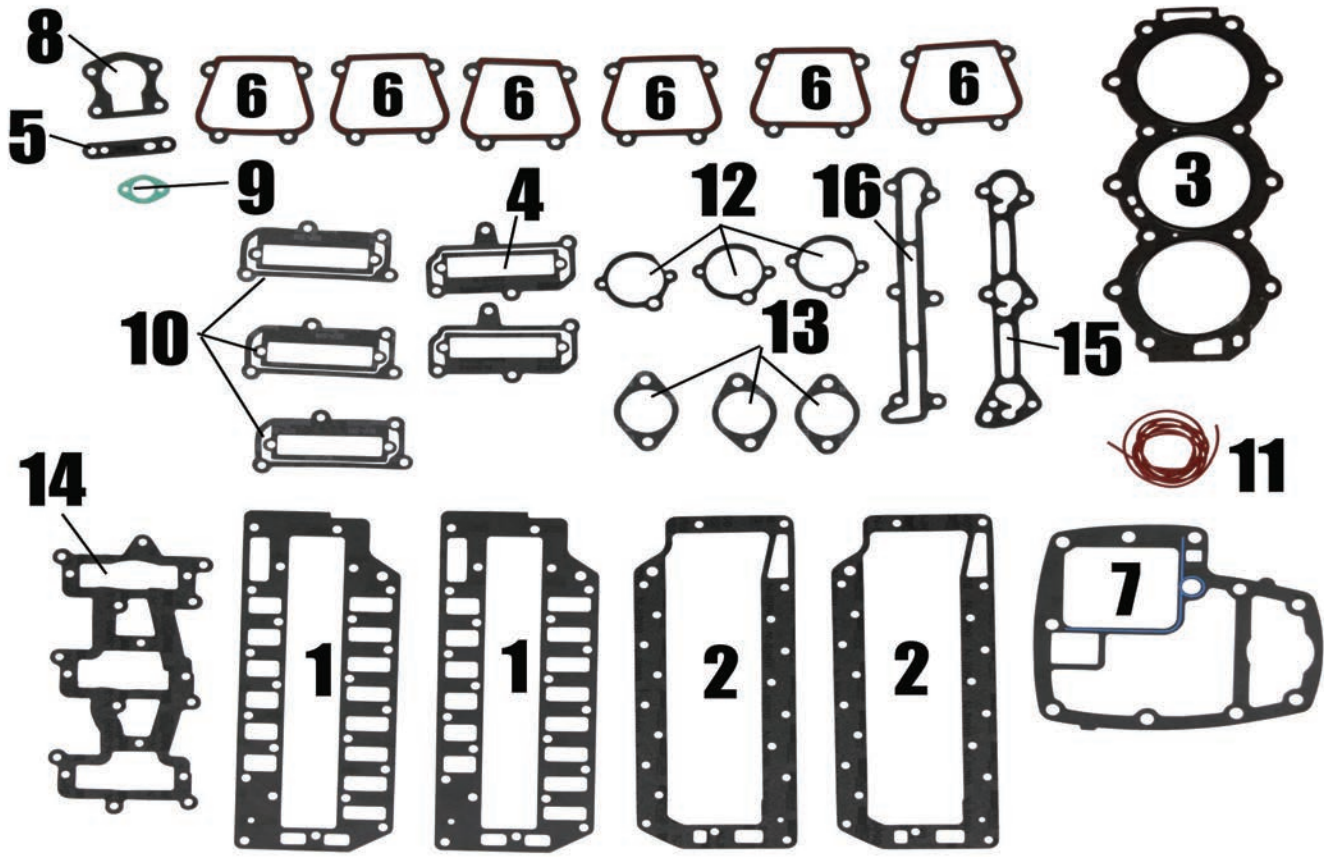
2105

Oil Seal, Crankshaft

X-ref # 26-F474146, 828626

Retail: \$11.95 D6L95R

Part # 2874 (Force 70-90hp 3 Cylinder 1970-1990)



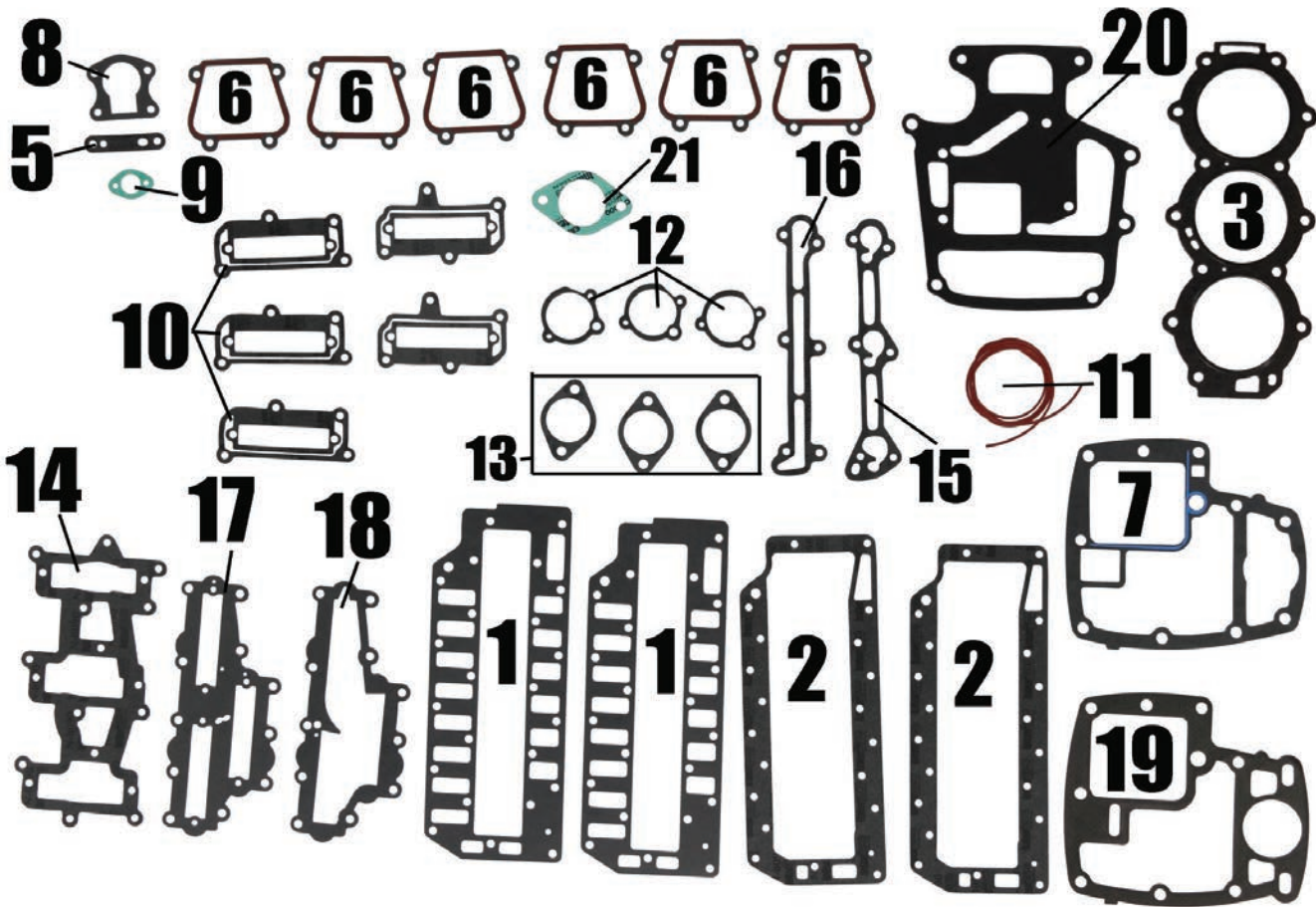
Kit #:	2874		\$78.25	D47L25R		
Fits:						
Force 70-90hp 3 Cylinder 1970-1990						
Ref #	Quantity	Pro #	Oem Number	Description	Retail	-
1	2	023	819023 1	Exhaust Plate (2Req)	\$9.85	D6L27R
2	2	1243	F85154 1	Exhaust Plate (2Req)	\$3.07	D2L15R
3	1	369	820438	Cylinder Head	\$25.99	D17L51R
4	2	9733	819733	Carb Adapter	\$1.40	DL98R
5	1	1487	98769 1	Fuel Pump	\$1.49	D1L04R
6	6	1236	F40223	Bypass Cover	\$6.05	D3L63R
7	1	1246	F85279 2	Powerhead Base	\$9.99	D5L99R
8	1	0854	F476067	Thermostat Cover	\$1.69	DL71R
9	1	1249	F85762	Bypass Cover	\$1.90	D1L26R
10	3	1245	F85168 2	Carb Adapter	\$1.20	DL84R
11	1	SP1	N/A	Spaghetti Seal 48"	\$4.66	D2L80R
12	3	1265	F481836	Carb to Air Box	\$0.95	DL49R
13	3	1250	828925	Carb Base	\$0.70	DL49R
14	1	1244	F85159 1	Carb to Reed Adapter	\$2.62	D1L70R
15	1	0861	F85748 2	Cylinder Drain Reed	\$3.50	D2L10R
16	1	1247	F85472 2	Cylinder Drain Cover	\$1.15	DL69R

* Special Order



2141
Oil Seal, Crankshaft
X-ref # 26-828627
Retail: \$9.99 D5L99R

Part # 2874-1 (Force 70hp Single Carb 1991-1998)



Kit #:	2874-1		\$112.95	<i>D67L45R</i>		
Fits:						
Force 70hp Single Carb 1991-1998						
Ref #	Quantity	Pro #	Oem Number	Description	Retail	-
1	2	023	819023 1	Exhaust Plate (2Req)	\$9.85	<i>D6L27R</i>
2	2	1243	F85154 1	Exhaust Plate (2Req)	\$3.07	<i>D2L15R</i>
3	1	369	820438	Cylinder Head	\$25.99	<i>D17L51R</i>
4	2	9733	819733	Carb Adapter	\$1.40	<i>DL98R</i>
5	1	1487	98769 1	Fuel Pump	\$1.49	<i>D1L04R</i>
6	6	1236	F40223	Bypass Cover	\$6.05	<i>D3L63R</i>
7	1	1246	F85279 2	Powerhead Base	\$9.99	<i>D5L99R</i>
8	1	0854	F476067	Thermostat Cover	\$1.69	<i>DL71R</i>
9	1	1249	F85762	Bypass Cover	\$1.90	<i>D1L26R</i>
10	3	1245	F85168 2	Carb Adapter	\$1.20	<i>DL84R</i>
11	1	SP1	N/A	Spaghetti Seal 48"	\$4.66	<i>D2L80R</i>
12	3	1265	F481836	Carb to Air Box	\$0.95	<i>DL49R</i>
13	3	1250	828925	Carb Base	\$0.70	<i>DL49R</i>
14	1	1244	F85159 1	Carb to Reed Adapter	\$2.62	<i>D1L70R</i>
15	1	0861	F85748 2	Cylinder Drain Reed	\$3.50	<i>D2L10R</i>
16	1	1247	F85472 2	Cylinder Drain Cover	\$1.15	<i>DL69R</i>
17	1	9113	819113	Reed	\$5.10	<i>D3L57R</i>
18	1	9114	819114 1	Carb to Reed Adapter	\$4.81	<i>D3L36R</i>
19	1	381-4	819381 4	Powerhead Base	\$15.02	<i>D9L97R</i>
20	1	049-3	819049 3	Powerhead Adapter	\$16.43	<i>D9L86R</i>
21	1	S9240	3240358	Carb	\$3.17	<i>D2L22R</i>

* Special Order

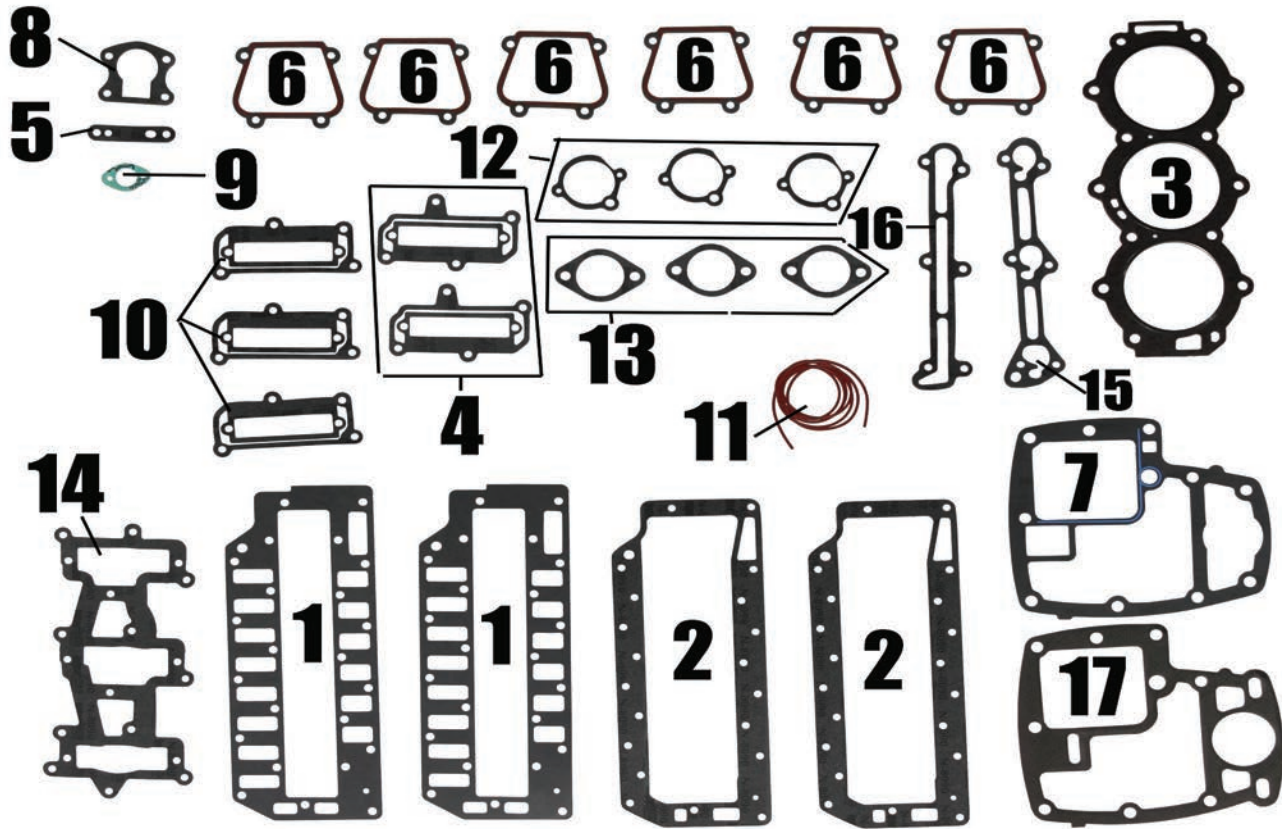
O. D. 1.815"
I. D. 1.200"



2141
Oil Seal, Crankshaft
X-ref # 26-828627
Retail: \$9.99 *D5L99R*

Honda
Johnson Evinrude
Mercury
Suzuki
Tohatsu
Yamaha
Rigging & Shop Supplies

Part # 2874-2 (Force 70hp 1999, 90hp 3 Cylinder 1991-1994)



Kit #:	2874-2		\$92.95	D55L75R		
Fits:						
Force 70hp 1999, 90hp 3 Cylinder 1991-1994						
Ref #	Quantity	Pro #	Oem Number	Description	Retail	-
1	2	023	819023 1	Exhaust Plate (2Req)	\$9.85	D6L27R
2	2	1243	F85154 1	Exhaust Plate (2Req)	\$3.07	D2L15R
3	1	369	820438	Cylinder Head	\$25.99	D17L51R
4	2	9733	819733	Carb Adapter	\$1.40	DL98R
5	1	1487	98769 1	Fuel Pump	\$1.49	D1L04R
6	6	1236	F40223	Bypass Cover	\$6.05	D3L63R
7	1	1246	F85279 2	Powerhead Base	\$9.99	D5L99R
8	1	0854	F476067	Thermostat Cover	\$1.69	DL71R
9	1	1249	F85762	Bypass Cover	\$1.90	D1L26R
10	3	1245	F85168 2	Carb Adapter	\$1.20	DL84R
11	1	SP1	N/A	Spaghetti Seal 48"	\$4.66	D2L80R
12	3	1265	F481836	Carb to Air Box	\$0.95	DL49R
13	3	1250	828925	Carb Base	\$0.70	DL49R
14	1	1244	F85159 1	Carb to Reed Adapter	\$2.62	D1L70R
15	1	0861	F85748 2	Cylinder Drain Reed	\$3.50	D2L10R
16	1	1247	F85472 2	Cylinder Drain Cover	\$1.15	DL69R
17	1	381-4	819381 4	Powerhead Base	\$15.02	D9L97R

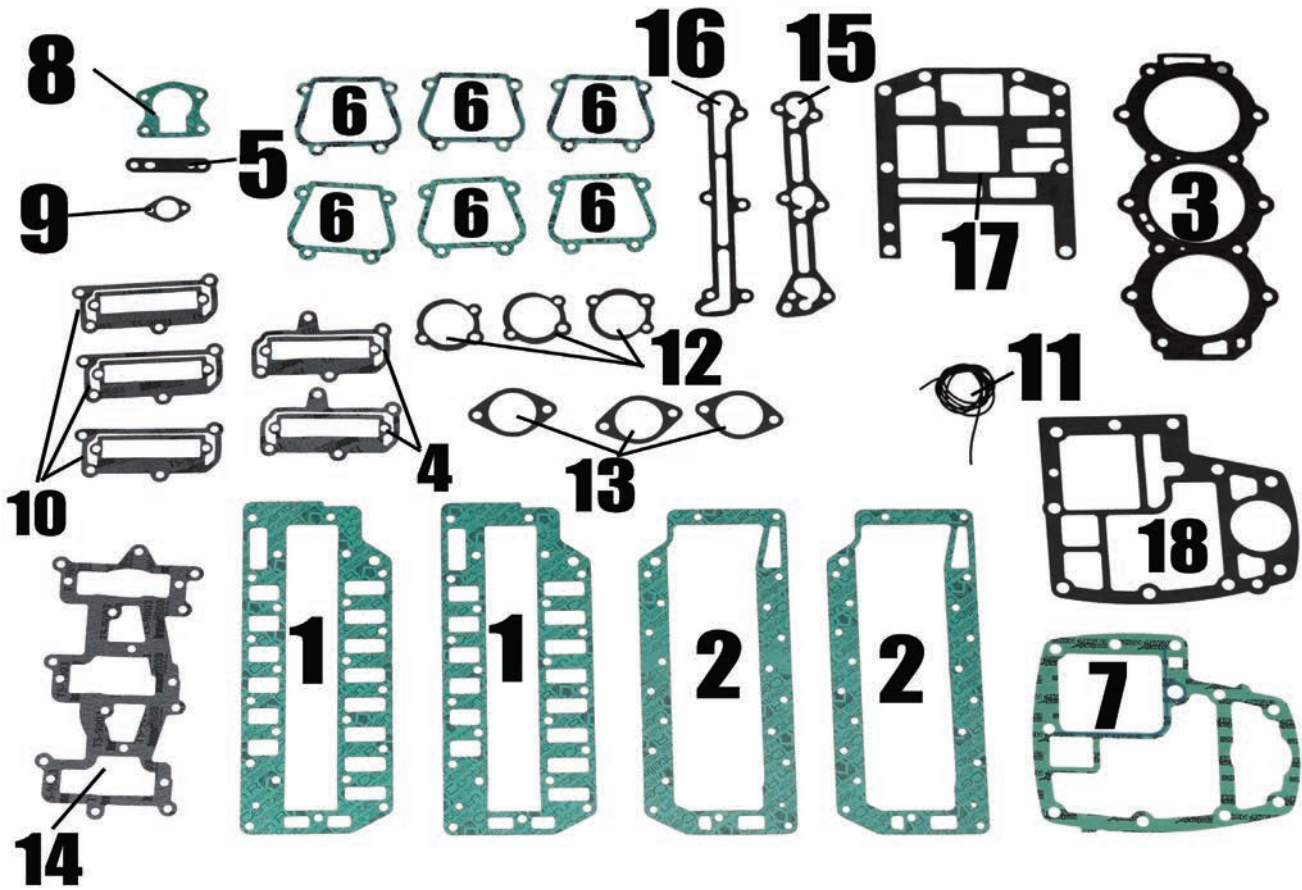
* Special Order

O. D. 1.815"
I. D. 1.200"



2141
Oil Seal, Crankshaft
X-ref # 26-828627
Retail: \$9.99 D5L99R

Part # 2874-3 (Force 75 & 90hp 3 Cylinder 1995-1999)



Kit #:	2874-3		\$94.95	D56L95R		
Fits:						
Force 75 & 90hp 3 Cylinder 1995-1999						
Ref #	Quantity	Pro #	Oem Number	Description	Retail	-
1	2	023	819023 1	Exhaust Plate (2Req)	\$9.85	D6L27R
2	2	1243	F85154 1	Exhaust Plate (2Req)	\$3.07	D2L15R
3	1	369	820438	Cylinder Head	\$25.99	D17L51R
4	2	9733	819733	Carb Adapter	\$1.40	DL98R
5	1	1487	98769 1	Fuel Pump	\$1.49	D1L04R
6	6	1236	F40223	Bypass Cover	\$6.05	D3L63R
7	1	1246	F85279 2	Powerhead Base	\$9.99	D5L99R
8	1	0854	F476067	Thermostat Cover	\$1.69	DL71R
9	1	1249	F85762	Bypass Cover	\$1.90	D1L26R
10	3	1245	F85168 2	Carb Adapter	\$1.20	DL84R
11	1	SP1	N/A	Spaghetti Seal 48"	\$4.66	D2L80R
12	3	1265	F481836	Carb to Air Box	\$0.95	DL49R
13	3	1250	828925	Carb Base	\$0.70	DL49R
14	1	1244	F85159 1	Carb to Reed Adapter	\$2.62	D1L70R
15	1	0861	F85748 2	Cylinder Drain Reed	\$3.50	D2L10R
16	1	1247	F85472 2	Cylinder Drain Cover	\$1.15	DL69R
17	1	550	826550	Powerhead Base	\$12.83	D7L70R
18	1	549	826549	Powerhead Base	\$10.89	D7L62R

* Special Order

O. D. 1.815"
I. D. 1.390"



2105

Oil Seal, Crankshaft
75hp (Upper & Lower)
90hp (Upper)

X-ref # 26-F474146, 828626
Retail: \$11.95 D6L95R

O. D. 1.815"
I. D. 1.200"



2141

Oil Seal, Crankshaft
90hp (Lower)

X-ref # 26-828627
Retail: \$9.99 D5L99R

Part # 2874-4 (Sportjet 90/95XR 1996-2000)

Honda

Johnson
Evinrude

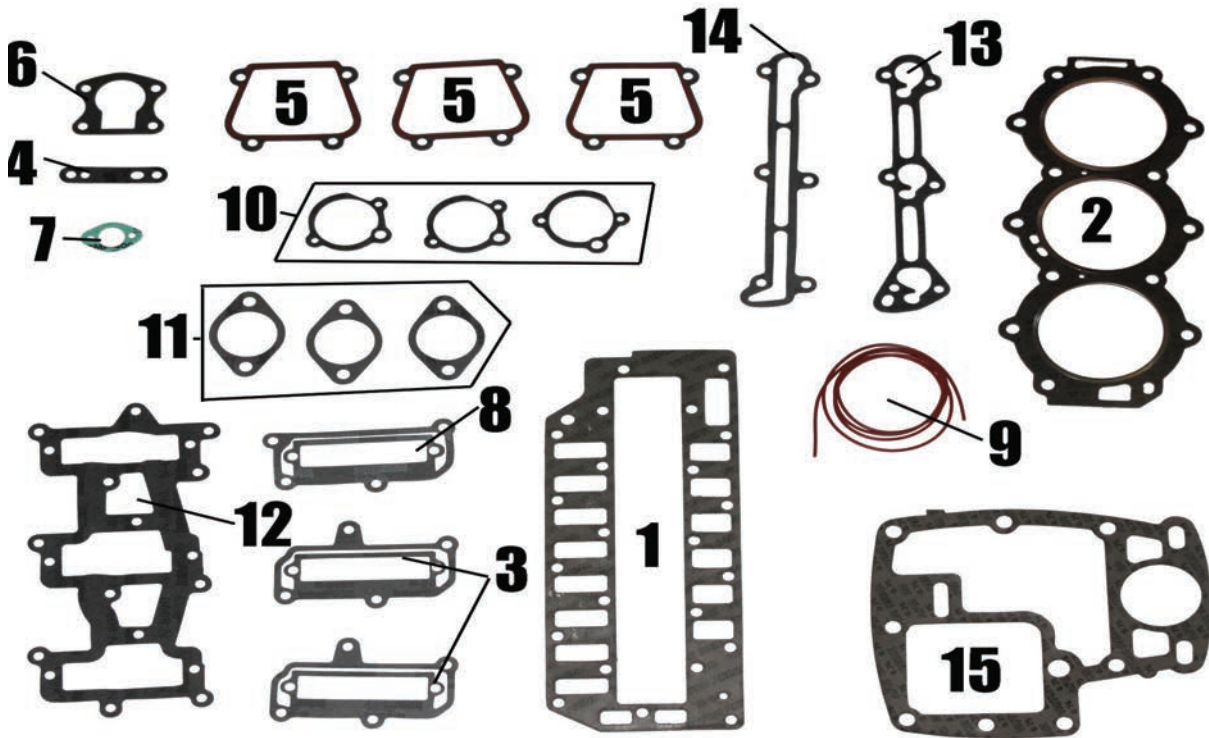
Mercury

Suzuki

Tohatsu

Yamaha

Rigging &
Shop Supplies



Kit #:	2874-4		\$98.25	D58L95R		
Fits: Sportjet 90/95XR						
Ref #	Qty	Pro #	Oem Number	Description	Retail	-
1	2	023-1	819035 4	Exhaust Manifold	\$22.99	D12L83R
2	1	369	820438	Cylinder Head	\$25.99	D17L51R
3	2	9733	819733	Carb Adapter	\$1.40	DL98R
4	1	1487	98769 1	Fuel Pump	\$1.49	D1L04R
5	3	1236	F40223	Bypass Cover	\$6.05	D3L63R
6	1	0854	F476067	Thermostat Cover	\$1.69	DL71R
7	1	1249	F85762	Bypass Cover	\$1.90	D1L26R
8	1	1245	F85168 2	Carb Adapter	\$1.20	DL84R
9	1	SP1	N/A	Spaghetti Seal 48"	\$4.66	D2L80R
10	3	1265	F481836	Carb to Air Box	\$0.95	DL49R
11	3	1250	828925	Carb Base	\$0.70	DL49R
12	1	1244	F85159 1	Carb to Reed Adapter	\$2.62	D1L70R
13	1	0861	F85748 2	Cylinder Drain Reed	\$3.50	D2L10R
14	1	1247	F85472 2	Cylinder Drain Cover	\$1.15	DL69R
15	1	381AFM20	823700 2	Powerhead Base AFM20	\$17.75	D11L05R

* Special Order

O. D. 1.815"
I. D. 1.200"



2141

Oil Seal, Crankshaft
1995 Only

X-ref # 26-828627

Retail: \$9.99 D5L99R

O. D. 1.815"
I. D. 1.390"



2105

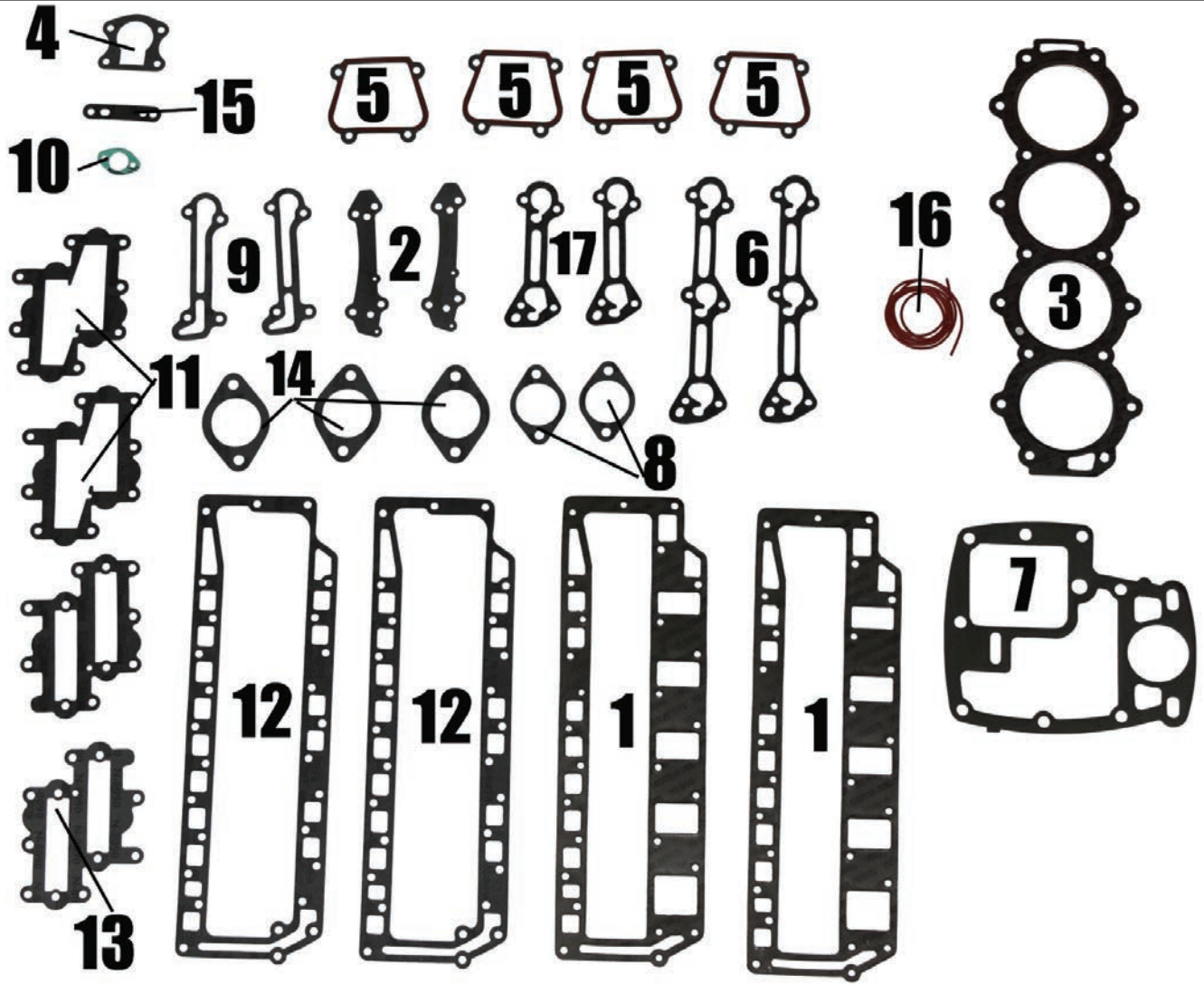
Oil Seal, Crankshaft
1996-2000

X-ref # 26-F474146, 828626

Retail: \$11.95 D6L95R

Part # 2875 (Chrysler / Force 100-140hp 1979-1999)

Honda
Johnson Evinrude
Mercury
Suzuki
Tohatsu
Yamaha
Rigging & Shop Supplies



Kit #:	2875		\$89.95	<i>D53L95R</i>		
Fits:						
Chrysler / Force 100-140hp						
Ref #	Quantity	Pro #	Oem Number	Description	Retail	-
1	2	024	819024 2	Exhaust Plate Gasket	\$11.14	<i>D6L68R</i>
2	2	472	F686472	Cylinder Drain Cover	\$2.06	<i>D1L30R</i>
3	1	476	F476529 4	Cylinder Head Gasket	\$28.03	<i>D17L41R</i>
4	1	0854	F476067	Thermostat Cover	\$1.69	<i>DL71R</i>
5	4	1236	F40223	Bypass Cover	\$6.05	<i>D3L63R</i>
6	2	861	F85748-2	Cylinder Drain Reed	\$3.50	<i>D2L10R</i>
7	1	1246	819381	Base Gasket	\$9.99	<i>D5L99R</i>
8	2	1250	828925	Carb Base	\$0.70	<i>DL49R</i>
9	2	*	F84472-5	Cylinder Drain Cover	-	-
10	1	1249	F85762	Bypass Cover	\$1.99	<i>D1L26R</i>
11	2	1254	828316	Carb Adapter	\$2.45	<i>D1L47R</i>
12	2	1259	F372154 1	Exhaust Plate (2 Req)	\$12.57	<i>D7L00R</i>
13	1	1260	F406406	Reed Plate	\$1.89	<i>D1L14R</i>
14	3	1263	F440906	Carburetor Base	\$1.04	<i>DL73R</i>
15	1	1487	98769 1	Fuel Pump	\$1.49	<i>D1L04R</i>
16	1	SP1	N/A	Spaghetti Seal 48"	\$4.66	<i>D2L80R</i>
17	2	*	F84748-3	Gasket	-	-

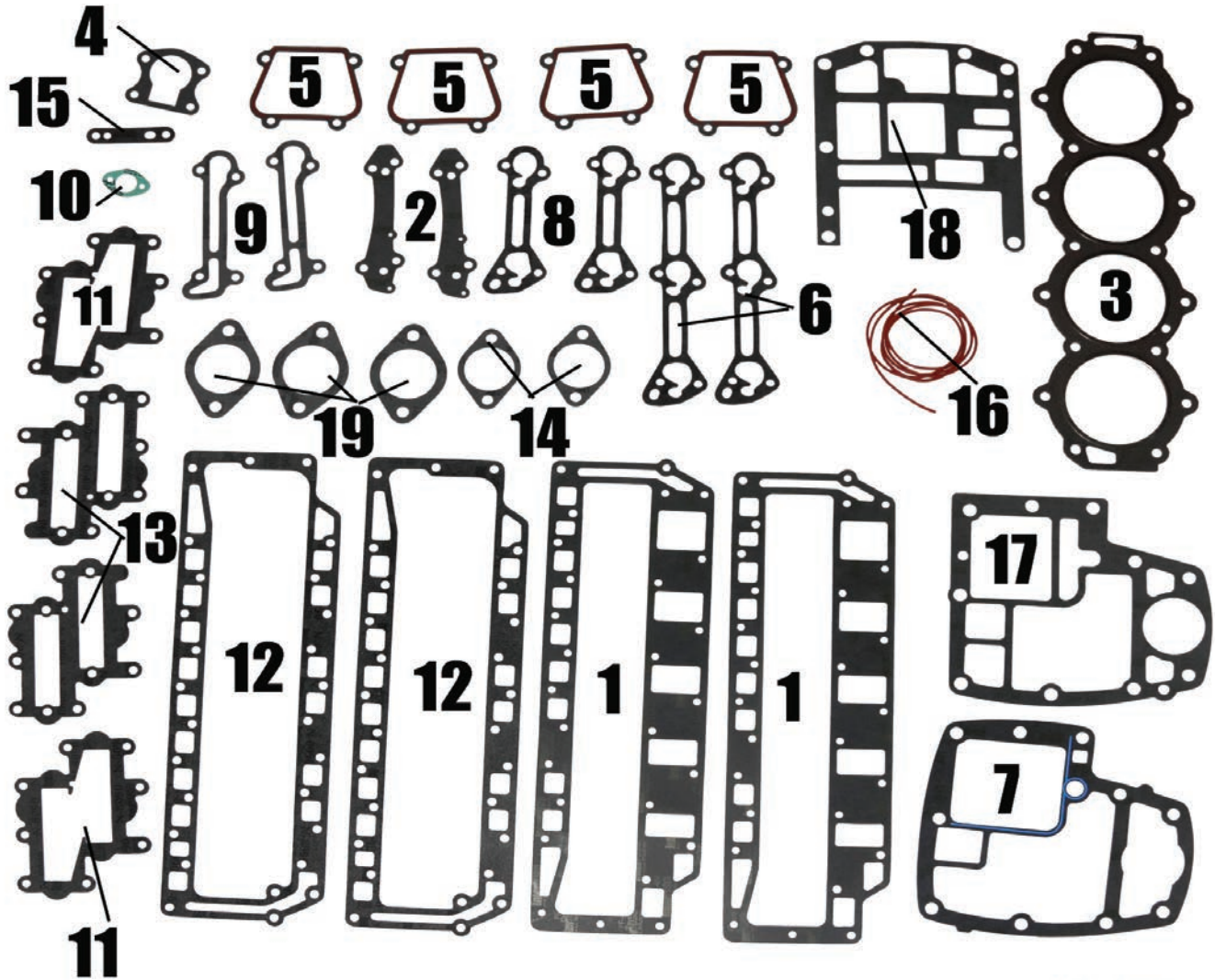
* Special Order

O. D. 1.815"
I. D. 1.200"



2141
Oil Seal, Crankshaft
X-ref # 26-828627
Retail: \$9.99 *D5L99R*

Part # 2875-1 (Force 120hp 4 Cylinder 1995-1999)



Kit #:	2875-1		\$89.95	D53L95R		
Fits:						
Force 120hp 4Cylinder 1995-1999						
Ref #	Quantity	Pro #	Oem Number	Description	Retail	-
1	2	024	819024 2	Exhaust Plate Gasket	\$11.14	D6L68R
2	2	472	F686472	Cylinder Drain Cover	\$2.06	D1L30R
3	1	476	F476529 4	Cylinder Head Gasket	\$28.03	D17L41R
4	1	0854	F476067	Thermostat Cover	\$1.69	DL71R
5	4	1236	F40223	Bypass Cover	\$6.05	D3L63R
6	2	861	F857482	Cylinder Drain Reed	\$3.50	D2L10R
7	1	1246	819381	Base Gasket	\$9.99	D5L99R
8	2	*	F84748-3	Cylinder Drain Plate		
9	2	*	F84472-5	Cylinder Drain Cover		
10	1	1249	F85762	Bypass Cover	\$1.99	D1L26R
11	2	1254	828316	Carb Adapter	\$2.45	D1L47R
12	2	1259	F372154 1	Exhaust Plate (2 Req)	\$12.57	D7L00R
13	1	1260	F406406	Reed Plate	\$1.89	D1L14R
14	2	1263	F440906	Carburetor Base	\$1.04	DL73R
15	1	1487	98769 1	Fuel Pump	\$1.49	D1L04R
16	1	SP1	N/A	Spaghetti Seal 48"	\$4.66	D2L80R
17	1	549	826549	Powerhead Base	\$10.89	D7L62R
18	1	550	826550	Powerhead Base	\$12.83	D7L70R
19	3	1250	828925	Carb Base	\$0.70	DL49R

* Special Order

O. D. 1.815"
I. D. 1.390"



Upper 2105
Oil Seal, Crankshaft

X-ref # 26-F474146, 828626
Retail: \$11.95 D6L95R

O. D. 1.815"
I. D. 1.200"



Lower 2141
Oil Seal, Crankshaft

X-ref # 26-828627
Retail: \$9.99 D5L99R

Honda

Johnson
Evinrude

Mercury

Suzuki

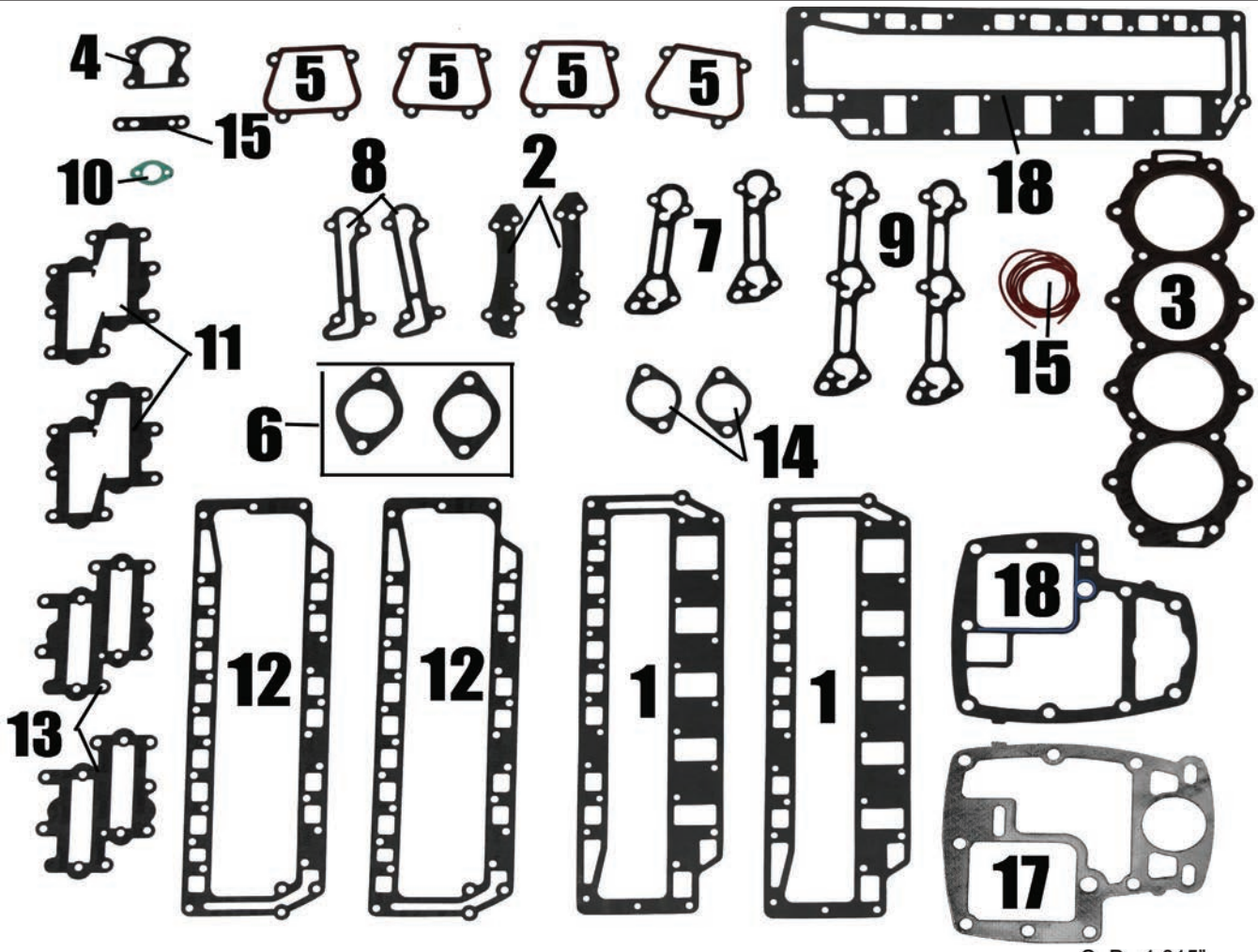
Tohatsu

Yamaha

Rigging &
Shop Supplies

Part # 2875-2 (Sportjet 120XR 1996-2000)

Honda
Johnson Evinrude
Mercury
Suzuki
Tohatsu
Yamaha
Rigging & Shop Supplies



O. D. 1.815"
I. D. 1.390"



2105
Oil Seal, Crankshaft
75hp (Upper & Lower)
90hp (Upper)
X-ref # 26-F474146, 828626
Retail: \$11.95 D6L95R

O. D. 1.815"
I. D. 1.200"



2141
Oil Seal, Crankshaft
90hp (Lower)
X-ref # 26-828627
Retail: \$9.99 D5L99R

Kit #:	2875-2				\$118.75	<i>D71L25R</i>
Fits:						
Sportjet 120XR 1996-2000						
Ref #	Quantity	Pro #	Oem Number	Description	Retail	-
1	2	024	819024 2	Exhaust Plate Gasket	\$11.14	<i>D6L68R</i>
2	2	472	F686472	Cylinder Drain Cover	\$2.06	<i>D1L30R</i>
3	1	476	F476529 4	Cylinder Head Gasket	\$28.03	<i>D17L41R</i>
4	1	0854	F476067	Thermostat Cover	\$1.69	<i>DL71R</i>
5	4	1236	F40223	Bypass Cover	\$6.05	<i>D3L63R</i>
6	2	1250	828925	Carb Base	\$0.70	<i>DL49R</i>
7	2	*	F84748-3	Cylinder Drain Plate		
8	2	*	F84472-5	Cylinder Drain Cover		
9	2	861	F857482	Cylinder Drain Reed	\$3.50	<i>D2L10R</i>
10	1	1249	F85762	Bypass Cover	\$1.99	<i>D1L26R</i>
11	2	1254	828316	Carb Adapter	\$2.45	<i>D1L47R</i>
12	2	1259	F372154 1	Exhaust Plate (2 Req)	\$12.57	<i>D7L00R</i>
13	1	1260	F406406	Reed Plate	\$1.89	<i>D1L14R</i>
14	1	1263	F440906	Carburetor Base	\$1.04	<i>DL73R</i>
15	1	1487	98769 1	Fuel Pump	\$1.49	<i>D1L04R</i>
16	1	SP1	N/A	Spaghetti Seal 48"	\$4.66	<i>D2L80R</i>
17	1	381AFM20	823700 2	Powerhead Base AFM20	\$17.75	<i>D11L05R</i>
18	1	024-1	819711 2	Exhaust Manifold	\$23.75	<i>D12L83R</i>
19	1	1246	819381	Base Gasket	\$9.99	<i>D5L99R</i>

* Special Order

271
271 Red Loctite Single .02oz
High Strength for Large Bolts
Single Use

Cross Ref #:

\$2.30 D1L61R



271B
271 Red Loctite .34oz
High Strength for Large Bolts
Small Diameter

Cross Ref #:

92-809819, 500422,
\$17.50 D12L36R



242B
242 Blue Loctite .34 oz

Cross Ref #:

92-809821,
\$17.50 D12L36R



242BB
262 Blue Loctite 50mL
1.69oz Large Bottle

Cross Ref #:

\$59.95 D39L95R



248B
Semi Solid Stick, Loctite
Medium Strength, 9 gram stick

Cross Ref #:

37684,
\$16.58 D11L61R



262B
262 Red Loctite .34oz
Medium to High Strength
For Small Bolts

Cross Ref #:

92-
\$19.81 D11L89R



268B
Semi Solid Sticks, Loctite
High Strength 9 gram stick

Cross Ref #:

37685,
\$17.95 D12L08R



991
Dielectric Grease Tube 5oz
CDI Electronics

Cross Ref #:

\$62.99 D33L00R



991S
Dielectric Grease Tube 3oz

Cross Ref #:

349791,
\$14.95 D6L49R



235
Compound, Gasket Sealing
with brush

Cross Ref #:

508235, 18-9070, 3857749-0
\$5.95 D4L25R



235-16
Compound, Gasket Sealing
16 ounce with brush

Cross Ref #:

317201,
\$12.99 D9L49R



GS1-1
Gel Seal 50ml Tube
Crankcase Anaerobic Sealant

Cross Ref #:

324073,
\$24.95 D15L32R



Chrysler / Force Sealers & Adhesives



GS1-10
518 Gasket Eliminator 300ml
Block Half Flange Sealant

Cross Ref #:
\$83.25 D62L06R



GS1-2
Gel Seal 6ml Small Tube
Single Use
Crankcase Sealant
Cross Ref #:
327361,
\$8.01 D4L91R



18-9016
Sealant, Ultra Black Hi Temp

Cross Ref #:
\$15.08 D10L77R



1184
Rubber Gasket, ThreeBond
Synthetic

Cross Ref #:
351052,
\$10.10 D7L13R



1211
Silicone Liquid Gasket 3Bond
Universal

Cross Ref #:
\$20.80 D14L56R



200763
Gasiola Thread Sealant
All Makes 1/4 Pint

Cross Ref #:
200763,
\$26.99 D21L48R



66B
Silicone Sealant, Clear

Cross Ref #:
\$8.95 D4L99R



40104
Prism Instant Adhesive
Loctite 401 Clear 2 Gram Tube

Cross Ref #:
\$6.99 D4L28R



5200-3OZ
Sealant, 5200 White 3 Oz

Cross Ref #:
05203,
\$19.69 D9L85R



5200B
Sealant, 5200 Black Cartridge

Cross Ref #:
06504,
\$32.79 D15L35R



5200W
Sealant, 5200 White Cartridge

Cross Ref #:
06500,
\$30.59 D13L33R



572R
572 Threadlocker, 50 ML
Red

Cross Ref #:
\$27.99 D17L28R

Chrysler / Force Carb & Fuel Pump Kits

Model	Year	Cyl	Carb Kit	Needle & Seat	Fuel Pump
35	1970-72, 1973	2	7037	7057	7806
35	1972 1/2, 1974-75, 1989-91	2	7037	7057	7806
45	1972 1/2-78	2	7037	7057	7806
45	1974 1/2-83	2	7037	7057	7806
40 / 50	1981-87,88 A Model	2	7037	7057	7806
40 / 50	1988 B, C, D Model	2	-	-	7806
40 / 50	1989-94 A, B, C, D	2	7023	-	7806
40 / 50	1995-99 A, B, C, D	2	7023	-	7806
55	1972 1/2-76	2	7037	7057	7806
55	1979	2	-	-	7806
55	1983	2	-	-	7806
70	1970-73, 1979-80	3	7037	7057	7806
70	1991-95 Single Carb	3	7023	-	7806
70	1999	3	-	-	7806
75	1974-79	3	7037	7057	7806
75	1980-83	3	7037	7057	7806
75	1996-98 Single Carb	3	7023	-	7806
75	1999	3	9735	-	7806
85	1970-73, 1977-79	3	7033	7057	7806
85	1980-89	3	7033	7041	7806
90	1974-77	3	7037	7057	7806
90	1983, 1989-90	3	7033	7057	7806
90	1991-94	3	-	-	7806
90	1995-99	3	7033	7057	7806
90-95	Sport Jet 1993-96	3	7023	-	7806
100	1979-81,1983-84	4	-	-	7806
105	1972-78	4	7037	7057	7806
105	1982, 1979-83	4	7037	7057	7806
115	1977-83	4	-	-	7806
120	1971-77	4	7037	7057	7806
120	1989-94	4	-	-	7806
120	1995-99	4	-	-	7806
120	Sport Jet 1996-2000	4	7023	-	7806
125	1983-88 Later	4	7037	7057	7806
130	1972	4	7037	7057	7806
135	1974-77	4	7037	7057	7806
140	1978-83	4	7037	-	7806
150	1989-94	5	7037	-	7806

Honda

Johnson
Evinrude

Mercury

Suzuki

Tohatsu

Yamaha

Rigging &
Shop Supplies



06067

Octane Boost 12oz

X-ref # 06067

Retail: \$9.49 D5L09R



06162

Fuel Stabilizer Gas 16oz

X-ref # 06126

Retail: \$11.29 D5L90R



06142

Fuel Treatment 16oz

X-ref # 06142

Retail: \$19.49 D14L99R



RNGFR

Ringfree Fuel Additive 12oz

X-ref # ACCRNGFRPL12

Retail: \$22.50 D18L00R

Chrysler / Force
Carb / Fuel Components



7037
Carburetor Kit 3636AP
Chrysler 3-140hp
1984 & Below
Cross Ref #:
FK10004,FK10027, 18-7037, 40501
\$12.95 D7L99R



18-7216
Carburetor Kit
Force/Sears 25hp
1996-1998
Cross Ref #:
809449A1,
\$64.29 D38L21R



9209
Carburetor Gasket Set
Force 25hp - 85hp
Cross Ref #:
FK10209,
\$5.40 D3L60R



7023
Carburetor Kit, Press In Seat
Force 40-150hp SportJet 120
Chrysler 140hp
Cross Ref #:
FK10023,
\$7.30 D4L86R



7033
Carburetor Kit
Chrysler 55-135hp
Cork 76-81
Cross Ref #:
FK10053, FK10005, 18-7033
\$33.11 D18L78R



9736
Carburetor Gasket Set
Force 75hp/90hp
Cross Ref #:
809736A1, FK10323
\$5.70 D3L80R



7125
Carburetor Kit
Force 85hp
Cross Ref #:
FK10125,
\$26.20 D17L46R



9735
Carburetor Kit
Force 75-90hp
SportJet 90-95
Cross Ref #:
809735A 1,
\$41.70 D27L80R



7103
Carburetor Repair Kit
Force 120hp Sportjet 120
Chrysler 115-140hp 1981-1988
Cross Ref #:
FK10103-2, FK10103, FK10103-1
\$85.50 D57L00R



5323
Gasket, Fuel Bowl Screw
Force 50-120 SportJet 120
Chrysler 35-140
Cross Ref #:
27-FO5323,
\$2.40 D1L60R



7623
Gasket, Fuel Bowl
Force 15-125 Sport Jet 90-120
Chrysler 10-140
Cross Ref #:
27-FO15623,
\$1.90 D1L27R



93421
Swivel Ball, Throttle Linkage
Mercury 10-200hp
Force 40/50hp
Cross Ref #:
93421,
\$9.40 D6L26R

Needles & Seats



7041
Needle & Seat
Chrysler 10-135hp
Cross Ref #:
FO10790, F016311, 18-7041, 40930
\$11.49 D6L50R



7057
Needle & Seat
Mercury 10-95hp Inlines
Chrysler/Force 4-100hp
Cross Ref #:
92581, FO10790, 1395-9258, 1399-1138, 1399-1473, 18-7057, 40920
\$10.41 D8L32R



7065
Inlet Needle, Press In
Force 15-120hp
Sportjet 90-120hp
Cross Ref #:
F10265, FK10264, FK10309
\$11.50 D9L20R



7120
Needle & Seat Kit
Force 35-80hp 1984-88
Chrysler 25-105hp 83-84
Cross Ref #:
FK10120-1,
\$29.70 D19L80R

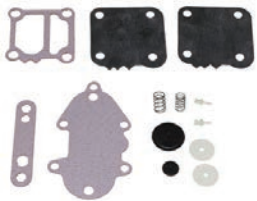


7903
Needle Kit
Force 40/50 & 125hp
Cross Ref #:
851903A 1,
\$27.92 D22L33R



7208
Float, Carburetor
Mercury 4-115 Inlines early
Chrysler 9.9 1980
Cross Ref #:
1395-9631, 1395-8983, 18-7208, 77250
\$12.03 D6L46R

Fuel Pump Repair Kits



1812
Fuel Pump Kit
Mercury 30-250hp
Force 40-150hp 92-99
Cross Ref #:
21-42990A10,857005A1, 18-7817, 40290
\$15.05 D9L03R



7805
Fuel Pump Kit
Force 4-20hp
Chrysler 3-15hp
Cross Ref #:
27-818043A1, F2A24747 1, 18-7805, 40860
\$7.33 D4L07R



7806
Fuel Pump Kit
Force 35-150hp
Cross Ref #:
F438747, 18-7806-1, 40870
\$10.28 D6L17R



1487
Gasket, Fuel Pump
Mercury 30-300hp
Force 40-120hp
Cross Ref #:
27-98769 1, 18-0970, 32960
\$1.49 D1L04R

Chrysler / Force Fuel Filters



Chrysler
Force

Honda



18-7829
Fuel Filter, Inline 1/4"
Univervsal

Cross Ref #:
35-16494, 35-81626Q03
\$6.17 D3L29R



311227
Fuel Filter, Inline 5/16"
Universal

Cross Ref #:
35-816296Q2,
\$7.02 D3L97R

Johnson
Evinrude



311679
Fuel Filter, Inline 3/8"
Universal

Cross Ref #:
398319,
\$7.34 D3L99R



7724
Fuel Filter, Inline 1/4"
Universal/Transparent

Cross Ref #:
,
\$6.99 D3L99R

Mercury



7723
Fuel Filter, Inline 5/16"
Universal/Transparent

Cross Ref #:
,
\$6.99 D3L99R



7722
Fuel Filter, Inline 3/8"
Universal/Transparent

Cross Ref #:
5005266,
\$6.99 D3L99R

Suzuki



7856-1
Fuel Filter, 5/16" InlineMetal
Universal

Cross Ref #:
, 18-7856-1
\$9.98 D5L56R



7857-1
Fuel Filter 3/8" Inline Metal
Universal

Cross Ref #:
, 18-7857-1
\$8.96 D5L06R

Tohatsu



7852
Fuel Filter & Bracket
Mercury Style Carb Engines
w/ 4 3/8" Long Filter 10Micron
Cross Ref #:
802893Q4, 18-7852-1, 24950,
9-37851
\$40.37 D23L92R



7845
Fuel Filter Water Separating
Mercury Style Carb Engines
w/ 4 3/8" Long 21 Micron
Cross Ref #:
35-807172, 18-7845, 18-7945,
24940, 35-60494, 9-37801
\$7.88 D5L25R

Yamaha



18-7938
Filter & SS Bracket 3/8" Inlet
Racor 10 Micron w/ Clear Bowl
3/8" NPT In - Out
Cross Ref #:
,
\$164.00 D123L00R



18-7937
Filter & SS Bracket Kit 1/4"
Racor w/ Clear Bowl
1/4" Inlet
Cross Ref #:
320R-RAC-01,
\$167.11 D98L85R

Rigging &
Shop Supplies



18-7932
Fuel Filter w/ Plastic Bowl &
Racor Style

Cross Ref #:

\$88.10 D52L69R



18-7951
Fuel Filter, Water Separator
Racor Style
w/Bracket

Cross Ref #:

320RRAC01,
\$126.48 D73L18R



18-7777-1
Fuel Filter Kit w/ SS Bracket
Mercury Style Thread

Cross Ref #:

89876A3,
\$94.65 D56L28R



18-7928
Fuel Filter w/ Clear Bowl
Racor Style

Cross Ref #:

\$50.23 D29L96R



18-7919
Fuel Filter, Small Hole
Mercury
S3213

Cross Ref #:

S3213,
\$24.75 D13L79R



18-7947
Fuel Water Separating Filter
Honda & Suzuki
ALL

Cross Ref #:

17670-ZW1-030-GH,
\$22.65 D12L64R



18-7948
Fuel Filter, Large Hole
Water Separator, 10 Micron
S3227 S3228 Racor

Cross Ref #:

17670-ZW1-801AH,
\$24.61 D14L65R



18-7922
Bowl, Clear Plastic
Racor Style

Cross Ref #:

\$34.04 D18L56R



18-7924
Fuel Filter Metal Bowl
Racor Style

Cross Ref #:

660RRAC01,
\$54.39 D31L44R

Chrysler / Force
Fuel Line & Connectors



18-8011
Fuel Line Assy 5/16" 8ft
Chrysler Single End

Cross Ref #:
FS409752,
\$64.73 D38L61R

18-8013
Fuel Line Assembly 5/16" 8 ft
Mercury/Force

Cross Ref #:
,
\$50.91 D30L34R

18-8032
Fuel Line Assembly 5/16" 12ft
Universal w/ No Ends

Cross Ref #:
,
\$65.44 D39L00R

100
Fuel Hose 5/16" Silver per FT
Mercury/Force
Universal

Cross Ref #:
858610100,8M0038500, 858610100
\$3.29 D2L18R

18-8055
Brass Barb 5/16" Hose x 1/4NPT

Cross Ref #:
22-63187, ABA-FLINE-BA-RB,
173311, 9-38016
\$4.52 D2L40R

18-8062
Fuel Connector Engine End
Force 9.9-150hp Chrysler 2-140
Suzuki 65750-98505

Cross Ref #:
F197787-3,
\$15.13 D8L66R

18-8071
Fuel Connector Tank End 3/8"
Force
Suzuki

Cross Ref #:
99105-00192,
\$8.14 D4L26R

3-3405
Brass Barb
Universal Marine Applications
3/8" x 1/4" NPT

Cross Ref #:
22-802193Q,18-8074, 39729334059,
9-38018
\$3.83 D2L30R

8002
Primer Bulb 1/4" Hose
Universal

Cross Ref #:
, 18-8002, 89396Q01
\$21.69 D14L10R

8004
Primer Bulb 5/16" Hose
Universal

Cross Ref #:
89396A38, 174511, 13330Q 5,
174511,775638, 18-8004, 775638
\$17.01 D12L15R

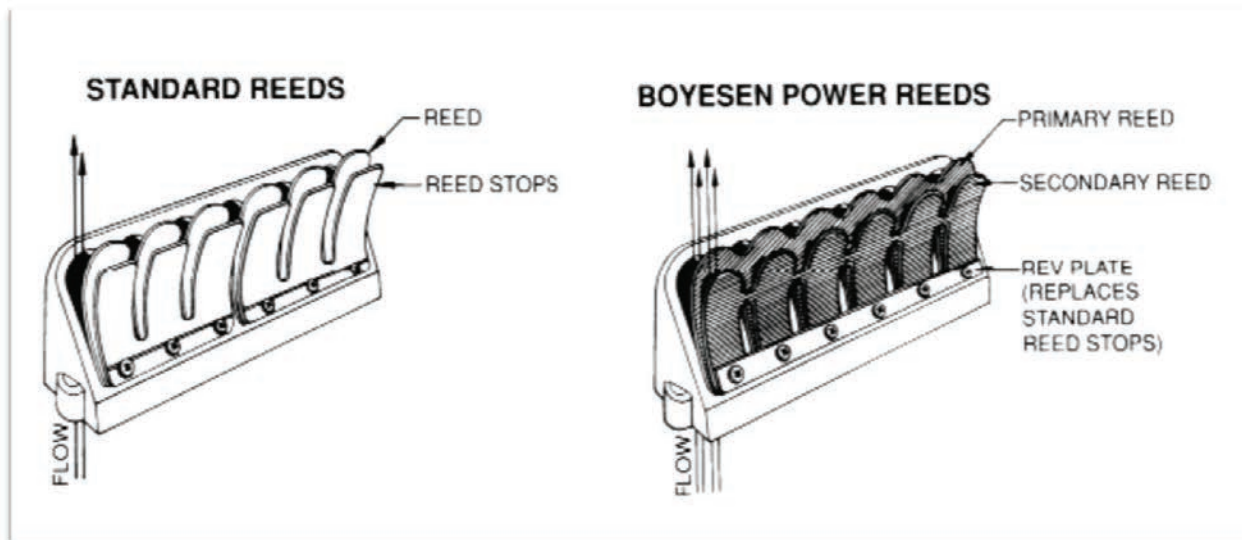
8005
Primer Bulb 3/8" Hose
Universal

Cross Ref #:
775639, 18-8005
\$17.01 D12L15R

FORCE - CHRYSLER Boyesen Reeds

Model	Year	Part#
35HP	thru 1992	B224
40HP	thru '99	B224
50HP	thru '99	B224
70HP	thru '90	B235
70HP	1993 & up	B234
75HP	thru '92	B235
75HP	1993 & up	B234
85HP	thru '92	B235
85HP	1993 & up	B234
90HP (Model A only)	thru '92	B235
90HP	1993 & up	B234
90 Chrysler		B245
100 Chrysler		B245
115HP	thru '92	B245
115HP	1993 & up	B244
120HP	thru '92	B245
120HP	1993 & up	B244
125HP	thru '92	B245
125HP	1993 & up	B244
140HP Chrysler		B245
150HP (Model A only)	1989-90	B255
150HP (angled block)	1990-94	B255F

For sustained High RPM operation (racing), add R suffix, e.g. 244R



Reeds are one way valves controlling the amount of air/fuel mixture entering the crankcase of your outboard engine, then sealing it in order to prevent it from escaping. Every two cycle outboard has them. But, the stock reeds in your outboard have a single-stage design that limits their efficiency. That's why stock outboards often cough and sputter at idle, fail to deliver a good hole shot, feel boggy or lifeless under throttle application, burn too much fuel or lack top end punch. Plus, standard reeds are made of metal. Should one break, it could cause extensive damage to your outboard. Boyesen Power reeds are different... and better! They feature a patented dual-stage design allowing our reeds to respond instantly to any change in air/fuel flow as you accelerate or back off the throttle. The result? A dramatic increase in efficiency and performance across the entire power band, from start-up to flat out!

Chrysler / Force
Boyesen Reeds



Chrysler
Force

Honda

Johnson
Evinrude

Mercury

Suzuki

Tohatsu

Yamaha

Rigging &
Shop Supplies



B224

Reed Kit, Boyesen
Force 35-50hp
Thru 1992
Cross Ref #:

\$69.95 D41L97R



B234

Reed Kit, Boyesen
Force 75-90hp 1993 & Up
SportJet 90 3cyl
Cross Ref #:

\$104.95 D62L97R



B235

Reed Kit, Boyesen
Force 70,75,85,90hp
Thru 1992
Cross Ref #:

\$104.95 D62L97R



B244

Reed Kit, Boyesen
Force 115-125 1993-1995
SportJet 120 4cyl
Cross Ref #:

\$129.95 D77L97R



B245

Reed Kit, Boyesen
Chrysler 115, 120, 125
Thru 1992
Cross Ref #:

\$129.95 D77L97R



B255

Reed Kit, Boyesen
Force 150 A Model
1989-1990
Cross Ref #:

34-F530160,
\$154.95 D92L97R



B255F

Reed Kit, Boyesen
Chrysler, Angled Reeds
1990-94
Cross Ref #:

\$154.95 D92L97R



B265P

Reed Kit, Boyesen
SportJet 240 EFI
Cross Ref #:

\$219.95 D131L97R



**We stock Spark Plugs in both
NGK & Champion Brands
Call for Applications & Pricing**

Chrysler Spark Plugs

Chrysler	Model	Year	Stock Plug	Iridium Ix	Gap
150 Hp		1972-1976	BUHW		
140 Hp		1978-1984	BUHW		
135 Hp		1969-1971	BUHW		
135 Hp		1974-1977	BUHW		
130 Hp		1972-1973	BUHW		
125 Hp		1981	BUHX		
120 Hp		1970-1977	BUHW		
115 Hp		1977-1982	BUHW		
115 Hp		1983-1984	BUHX		
105 Hp		1966-1967	*BR6S		0.30
105 Hp		1968-1974	BUHW		
105 Hp		1975-1976	BUHX		
105 Hp		1976-1983	BUHW		
100 Hp		1979-1984	BUHW		
90 Hp		1974-1977	BUHW		
90 Hp		1983-1984	BUHW		
85 Hp		1969-1973	BUHW		
85 Hp		1977-1984	BUHW		
80 Hp		1965	BR6S		
75 Hp		1966-1967	BR6S		
75 Hp		1968	BUHX		
75 Hp		1974-1984	BUHW		
70 Hp		1969-1973	BUHW		
70 Hp		1979-1980	BUHW		
65 Hp		1977-1978	BUHX		
60 Hp		1974-1976	BUHX		
60 Hp		1984	BUHW		
55 Hp		1980-1983	BUHW		
55 Hp	Magneto	1969-1980	BUHX		
55 Hp	Std Ign	1967-1976	B6HS		0.30
50 HP		1965-1966	*BR6S		0.30
50 Hp		1981-1984	*BR6HS	*BR6HIX	0.30
45 Hp		1965-1967	*BR6S		0.30
45 Hp		1968-1984	*BR6HS	*BR6HIX	0.30
45 Hp	Magneto	1971-1978	*BR6HS	*BR6HIX	0.30
35 Hp		1965-1967	*BR6S		0.30
35 Hp		1968-1984	*BR6HS	*BR6HIX	0.30
30 Hp		1973-1982	*BR6HS	*BR6HIX	0.30
25 Hp		1973-1984	*BR6HS	*BR6HIX	0.30
20 Hp		1965-1967	*BR6S		0.30
20 Hp		1968-1982	*BR6HS	*BR6HIX	0.30
15 Hp		1974-1984	*BR6HS	*BR6HIX	0.30
12.9 Hp		1971-1973	*BR6HS	*BR6HIX	0.30
12 Hp		1979	*BR6HS	*BR6HIX	0.30
10 Hp		1974-1978	*BR6HS	*BR6HIX	0.30
9.9 Hp		1968-1986	*BR6HS	*BR6HIX	0.30
9.2 Hp		1966-1967	*BR6S		0.30
9.0 Hp		1965	*BR6S		0.30
8.0 Hp		1979-1981	*BR6HS	*BR6HIX	0.30
7.5 Hp		1979-1984	*BR6HS	*BR6HIX	0.30
7.0 Hp		1969-1970	*BR6HS	*BR6HIX	0.30
6.6 Hp		1968	*BR6HS	*BR6HIX	0.30
6.0 Hp		1965-1967	*BR5HS		0.30
6.0 Hp		1971-1977	*BR6HS	*BR6HIX	0.30
6.0 Hp		1978-1982	*BR6HS	*BR6HIX	0.30
5.0 Hp		1969-1970	*BR6HS	*BR6HIX	0.30
5.0 Hp		1974-1976	*BR5HS		0.30
4.9 Hp		1973-1975	*BR5HS		0.30
4.5 Hp		1972	*BR6HS	*BR6HIX	0.30
4.4 Hp		1968	*BR6HS	*BR6HIX	0.30
4.0 Hp		1976-1984	*BR6HS	*BR6HIX	0.30
3.5 Hp		1980-1984	*BR6HS	*BR6HIX	0.30

* Denotes part is special order only

Force Spark Plugs

Force	Model	Year	Stock Plug	Iridium IX	Gap
150 Hp	w/Prestolite Ign	1989-1991	BUHX		
150 Hp	w/Thunderbolt Ign	1991-1994	BUHW		
125 Hp		1983-1989	BUHX		
120 Hp	w/Prestolite Ign	1990-1991	BUHX		
120 Hp	w/Thunderbolt Ign	1991-1993	BUHW		
120 Hp	w/Thunderbolt Ign	1994-1999	BUZHW		
90 Hp	w/Prestolite Ign	1990-1991	BUHX		
90 Hp	w/Thunderbolt Ign	1991-1993	BUHW		
90 Hp	w/Thunderbolt Ign	1994-1999	BUZHW		
85 Hp		1983-1989	BUHX		
75 Hp		1996-1999	BUZHW		
70 Hp	w/Thunderbolt Ign	1991-1995	BUHW		
60 Hp		1985	BUHW		
50 Hp		1984-1987	B7HS		0.30
50 Hp	w/Prestolite Ign	1988-1991	BUHX		
50 Hp	w/Thunderbolt Ign	1991-1993	BUHW		
50 Hp	w/Thunderbolt Ign	1994-1999	BUZHW		
40 Hp		1992-1993	BUHW		
40 Hp		1994-1999	BUZHW		
35 Hp		1986-1991	*B6HS-10		0.40
25 Hp		1996-1999	*BP7HS	*BR7HIX	0.35
15 Hp		1984-1993	*BP7HS	*BR7HIX	0.30
15 HP		1994-1999	*BP7HS	*BR7HIX	0.35
9.9 Hp		1984-1993	*BP6HS	*BR6HIX	0.30
9.9 Hp		1994-1999	*BP6HS	*BR6HIX	0.35
7.5 Hp		1985	B6HS		0.30
5.0 HP		1988-1993	*BP6HS	*BR6HIX	0.30
5.0 Hp		1994-1999	*BP6HS	*BR6HIX	0.35
4.0 Hp		1984-1987	B6HS		0.30
3.0 Hp		1990-1994	BP6HS-10		0.40

* Denotes Parts is special order only

Honda

Johnson
Evinrude

Mercury

Suzuki

Tohatsu

Yamaha

Rigging &
Shop Supplies

Chrysler & Force Ignition

HP	Year	S/N-Model	Ignition	Stator	Trigger	Rectifier	Ign Coil
3.5	1980	32HOD	Magneto	Magneto	* F12359	-	185-2370
3.5	1981-1984	32H1D/E/H/G	Magneto	Magneto	* F12359	-	185-2370
3.6	1974-1976	32BC/HC/33BC/HC	Magneto	Magneto	Points	-	NLA
4	1976-1984	ALL	Magneto	Magneto	* F12359	-	185-2370
4	1984-1987	Manual Start	Magneto	Magneto	* F12359	-	185-2370
4.9	1975-1976	ALL	Magneto	Magneto	* F12359	-	NLA
5	1975-1976	ALL	Magneto	Magneto	* F12359	-	NLA
5	1984-1989	88A, 88B, 89A	Magneto	Magneto	* F12359	-	185-2370
5	1989-1992	89B	Magneto	Magneto	* F12359	-	185-2370
5	1992-1998	0E000001-0E344999	SEMSS (BIM II)	Magneto	In CD	-	* 850899T
6	1975-1982	ALL	Magneto	Magneto	Points	-	185-2370
7.5	1972	BOC/B1D/HOC/H1D	116-5475	NLA	NLA	-	-
7.5	1977	BOC/B1C/HOC/H1C	116-5475	NLA	NLA	-	-
7.5	1979-1984	All Models	116-5475	NLA	NLA	-	-
7.5	1985	72F5A	116-5475	NLA	NLA	-	In CD
8	1976-1977	ALL	Magneto	Magneto	NLA	-	185-2370
8	1978	ALL	116-5475	NLA	NLA	-	-
8	1979	ALL	Magneto	Magneto	NLA	-	185-2370
8	1982	82H8J/87H8A	116-5475	NLA	NLA	-	-
9.9	1979-1984	Electric Start	116-0301	NLA	NLA	152-9209	-
9.9	1979-1984	Manual Start	Magneto	Magneto	NLA	-	185-2370
9.9	1984-1989	84A-89A	Magneto	Magneto	NLA	-	185-2370
9.9	1989-1992	89B-91A/91B-92B	116-2379	-	In CD	-	116-2379
9.9	1989-1992	0E000001-0E034999	116-2379	-	In CD	-	116-2379
10	1976-78	W/CD-Alternator	116-0301	NLA	NLA	152-9209	NLA
10	1976-78	Manual Start	Magneto	Magneto	NLA	-	185-2370
12	1976-1984	Electric Start	116-0301	NLA	NLA	152-9209	-
12	1976-1984	Manual Start	Magneto	Magneto	NLA	-	185-2370
15	1976-1984	Electric Start	116-0301	NLA	NLA	152-9209	-
15	1976-1984	Manual Start	Magneto	Magneto	NLA	-	185-2370
15	1984-1987	84A-87A	Magneto	Magneto	NLA	-	185-2370
15	1988-1992	88A-92A	116-2379	-	In CD	-	116-2379
15	1988-92	0E000001-0E034999	116-2379	-	In CD	-	116-2379
15	1992-1998	0E035000-0E344999	SEMS (BIM II)	Magneto	In CD	-	* 850899T
20	1975-1982	Electric Start	116-0301	NLA	NLA	152-9209	-
20	1975-1982	Manual Start	Magneto	Magneto	NLA	-	185-2370
25	1975-1982	Electric Start	116-0301	NLA	NLA	152-9209	-
25	1975-1982	Manual Start	Magneto	Magneto	NLA	-	185-2370
25	1983-1984	Electric Start	116-9301	NLA	NLA	152-9209	-
25	1989	All Models	116-9301	NLA	NLA	152-9209	NLA
25	1996-1998	0E127700-0E344999	SEMS (BIM II)	Magneto	In CD	-	* 850899T
30	1979	Manual Start	Magneto	Magneto	NLA	-	185-2370
30	1980-1982	Electric Start	116-9301	NLA	NLA	152-9209	-
35	1974-1975	Manual Start	Magneto	Magneto	* F12044	-	NLA
35	1974-1977	Electric Start	115-3301	NLA	* F12044	155-1450	-
35	1976-1982	Manual Start	Magneto	Magneto	* F12044	-	185-2370
35	1978	W/CD-Alternator	116-9301	NLA	NLA	152-9209	-
35	1983-1984	W/CD-Alternator	116-9301	NLA	NLA	152-9209	-
35	1987-1991	All Models	116-9301	NLA	NLA	152-9209	NLA

* Indicates an item that is available as special order OEM

Honda

Johnson
Evinrude

Mercury

Suzuki

Tohatsu

Yamaha

Rigging &
Shop Supplies



Chrysler & Force Electrical

HP	Year	S/N-Model	Harness	Starter Motor	Solenoid	Trim Motor	Relay
3.5	1980	32HOD	-	-	-	-	-
3.5	1981-1984	32H1D/E/H/G	-	-	-	-	-
3.6	1974-1976	32BC/HC/33BC/HC	-	-	-	-	-
4	1976-1984	ALL	-	-	-	-	-
4	1984-1987	Manual Start	-	-	-	-	-
4.9	1975-1976	ALL	-	-	-	-	-
5	1975-1976	ALL	-	-	-	-	-
5	1984-1989	88A, 88B, 89A	-	-	-	-	-
5	1989-1992	89B	-	-	-	-	-
5	1992-1998	0E000001-0E344999	-	-	-	-	-
6	1975-1982	ALL	-	-	-	-	-
7.5	1972	BOC/B1D/HOC/H1D	-	-	-	-	-
7.5	1977	BOC/B1C/HOC/H1C	-	-	-	-	-
7.5	1979-1984	All Models	-	-	-	-	-
7.5	1985	72F5A	-	-	-	-	-
8	1976-1977	ALL	-	-	-	-	-
8	1978	ALL	-	-	-	-	-
8	1979	ALL	-	-	-	-	-
8	1982	82H8J/87H8A	-	-	-	-	-
9.9	1979-1984	Electric Start	-	NLA	NLA	-	-
9.9	1979-1984	Manual Start	-	-	-	-	-
9.9	1984-1989	84A-89A	-	-	-	-	-
9.9	1989-1992	89B-91A/91B-92B	-	-	-	-	-
9.9	1989-1992	0E000001-0E034999	-	-	-	-	-
10	1976-78	W/CD-Alternator	-	NLA	NLA	-	-
10	1976-78	Manual Start	-	NLA	NLA	-	-
12	1976-1984	Electric Start	-	NLA	NLA	-	-
12	1976-1984	Manual Start	-	-	-	-	-
15	1976-1984	Electric Start	-	NLA	NLA	-	-
15	1976-1984	Manual Start	-	-	-	-	-
15	1984-1987	84A-87A	-	-	-	-	-
15	1988-1992	88A-92A	-	-	-	-	-
15	1988-92	0E000001-0E034999	-	-	-	-	-
15	1992-1998	0E035000-0E344999	-	-	-	-	-
20	1975-1982	Electric Start	-	NLA	NLA	-	-
20	1975-1982	Manual Start	-	-	-	-	-
25	1975-1982	Electric Start	NLA	NLA	NLA	-	-
25	1975-1982	Manual Start	-	-	-	-	-
25	1983-1984	Electric Start	-	5551	5834	-	-
25	1989	All Models	-	-	-	-	-
25	1996-1998	0E127700-0E344999	-	-	-	-	-
30	1979	Manual Start	-	-	-	-	-
30	1980-1982	Electric Start	NLA	NLA	-	-	-
35	1974-1975	Manual Start	-	-	-	-	-
35	1974-1977	Electric Start	NLA	5551	5834	-	-
35	1976-1982	Manual Start	-	-	-	-	-
35	1978	W/CD-Alternator	NLA	5551	5834	-	-
35	1983-1984	W/CD-Alternator	NLA	NLA	5834	-	-
35	1987-1991	All Models	NLA	5551	5834	-	-

Honda

Johnson
Evinrude

Mercury

Suzuki

Tohatsu

Yamaha

Rigging &
Shop Supplies

Chrysler & Force Ignition

HP	Year	S/N-Model	Ignition	Stator	Trigger	Rectifier	Ign Coil
40	1992-1995	1992-C	114-4952	174-8778 (a)	9527-2	194-5279	18-5186
40	1992-1995	0E000001 -0E138599	114-4952	174-9710 (b)	9527-2	194-5279	18-5186
40	1996-1997	0E138600 - 0E287999	114-7509	2075K2 (b)	5744-2	194-5279	In CD
40	1998-1999	0E28800-0E369299	114-7509	2075K2 (b)	5744-2	194-5279	In CD
45	1974-1978	MagnaPower	NLA	NLA	* F12044	155-1450	182-5475
45	1974-1978	Manual Start	Magneto	Magneto	* F12044	-	NLA
45	1976-1984	W/Points	-	NLA	* F12044	155-1450	-
50	1981-1983	W/Points	-	* F12329-2	NLA	155-1450	-
50	1984-87	A, C	116-8475	176-3095	8029-2	152-9209	In CD
50	1987	B	115-3301	* F12329-2	NLA	152-9209	* 803830T
50	1988	A, B, C	116-8475	176-3095	8029-2	152-9209	In CD
50	1988	D	116-8301	176-3095	4029-2	152-9209	182-4475
50	1989-1992	All Models	116-8301	176-3095	4029-2	152-9209	182-4475
50	1992	0E000001 -0E009499	114-4952	174-8778 (a)	9527-2	194-5279	* 832757A4
50	1992-1995	0E009500 -0E138599	114-4952	174-9710 (b)	9527-2	194-5279	* 832757A4
50	1996-1997	0E138600 -0E283999	114-7509	2075K2 (b)	5744-2	194-5279	In CD
55	1981-1983	All Models	116-5301	176-5095	4029-2	155-1450	182-4475
60	1984	All Models	116-5301	176-5095	4029-2	155-1450	182-4475
60	1984-1985	All Models	116-5301	176-5095	5029-2	155-1450	182-4475
70	1979-1980	MagnaPower	115-3301	NLA	135-4048	152-9209	182-5475
70	1991-1992	E000001 -E009499	114-7778	174-8778 (a)	7029-3	194-5279	18-5186
70	1991-1992	E000001 -E009499	114-7778	174-9710 (b)	7029-3	194-5279	18-5186
70	1993-1994	E009500 -E093699	114-4953	174-8778 (a)	7029-3	194-5279	18-5186
70	1993-1994	E009500 -E093699	114-4953	174-9710 (b)	7029-3	194-5279	18-5186
70	1994-1995	E093700 -E138599	114-4953	174-8778 (a)	7029-3	194-5279	18-5186
70	1994-1995	E093700 -E138599	114-4953	174-9710 (b)	7029-3	194-5279	18-5186
75	1975-1984	MagnaPower	115-3301	NLA	135-4048	152-9209	182-5475
75	1996-1999	E138600 -0E369299	114-7509	2075K1 (a)	8302-3	194-5279	In CD
75	1996-1999	E138600 -0E369299	114-7509	2075K2 (b)	8302-3	194-5279	In CD
80	1977-1984	MagnaPower	115-3301	NLA	135-4048	152-9209	182-5475
80	1983-1984	W/CD-Alternator	116-5301	176-5095	6029-3	155-1450	182-4475
85	1983-1985	All Models	116-5301	176-5095	6029-3	152-9209	182-4475
85	1986	A & L	116-5301	176-5095	6029-3	152-9209	182-4475
85	1986	B, C, M & N	116-3301	176-3095	6029-3	152-9209	182-4475
85	1987-1988	All Models	116-3301	176-3095	3029-3	152-9209	182-4475
85	1989	B, C, D, E, F, G, H	116-8301	176-3095	3029-3	152-9209	182-4475
85	1989	L Drive	116-8301	176-3095	3029-3	155-1450	182-4475
90	1974-1977	MagnaPower	115-3301	-	135-4048	152-9209	182-5475
90	1983-1984	W/CD-Alternator	116-5301	176-5095	5029-4	155-1450	182-4475
90	1990	All Models	116-8301	176-3095	3029-3	152-9209	182-4475
90	1990	L Drive A	116-8301	176-3095	3029-3	155-1450	182-4475
90	1990	L Drive C	116-8301	176-3095	3029-3	155-1450	182-4475

* Indicates an item that is available as special order OEM

Honda

Johnson
Evinrude

Mercury

Suzuki

Tohatsu

Yamaha

Rigging &
Shop Supplies

Chrysler & Force Electrical

HP	Year	S/N-Model	Harness	Starter Motor	Solenoid	Trim Motor	Relay
40	1992-1995	1992-C	NLA	5394 / 7394	5834	-	-
40	1992-1995	0E000001 -0E138599	NLA	5394 / 7394	5834	-	-
40	1996-1997	0E138600 - 0E287999	* 828296A1	5394 / 7394	5834	6255	* 821509T01
40	1998-1999	0E28800-0E369299	* 828296A1	5394 / 7394	5834	6255	* 821509T01
45	1974-1978	MagnaPower	NLA	NLA	5834	-	-
45	1974-1978	Manual Start	-	-	-	-	-
45	1976-1984	W/Points	NLA	-	-	-	-
50	1981-1983	W/Points	NLA	NLA	SW774	-	-
50	1984-87	A, C	NLA	5382	SW774	-	-
50	1987	B	NLA	5382	SW774	-	-
50	1988	A, B, C	NLA	5382	SW774	-	-
50	1988	D	NLA	5382	5834	-	-
50	1989-1992	All Models	NLA	5382	5834	6276	* 803632T
50	1992	0E000001 -0E009499	NLA	5394	5834	6276	* 803632T
50	1992-1995	0E009500 -0E138599	NLA	5394	5834	6255	* 821509T01
50	1996-1997	0E138600 -0E283999	NLA	5394	5834	6255	* 821509T01
55	1981-1983	All Models	NLA	NLA	-	-	-
60	1984	All Models	NLA	NLA	-	-	-
60	1984-1985	All Models	NLA	NLA	-	-	-
70	1979-1980	MagnaPower	NLA	S2069	5834	-	-
70	1991-1992	E000001 -E009499	NLA	5393 / 7393	5834	6276	* 803632T
70	1991-1992	E000001 -E009499	NLA	5393 / 7393	5834	6276	* 803632T
70	1993-1994	E009500 -E093699	NLA	5393 / 7393	5834	6276	* 803632T
70	1993-1994	E009500 -E093699	NLA	5393 / 7393	5834	6276	* 803632T
70	1994-1995	E093700 -E138599	* 827244A1	5393 / 7393	5834	6276	* 803632T
70	1994-1995	E093700 -E138599	* 827244A1	5393 / 7393	5834	6276	* 803632T
75	1975-1984	MagnaPower	NLA	S2069	5834	-	-
75	1996-1999	E138600 -0E369299	* 828297A1	5393 / 7393	5834	6276	151
75	1996-1999	E138600 -0E369299	* 828297A1	5393 / 7393	5834	6276	151
80	1977-1984	MagnaPower	NLA	S2069	5834	-	-
80	1983-1984	W/CD-Alternator	NLA	S2069	5834	6216	-
85	1983-1985	All Models	NLA	-	-	-	-
85	1986	A & L	NLA	5393 / 7393	5834	PT116N	* 803632T
85	1986	B, C, M & N	NLA	5393 / 7393	5834	PT116N	* 803632T
85	1987-1988	All Models	NLA	5393 / 7393	5834	PT116N	* 803632T
85	1989	B, C, D, E, F, G, H	NLA	5393 / 7393	5834	-	-
85	1989	L Drive	NLA	5393 / 7393	5834	6231	8268
90	1974-1977	MagnaPower	NLA	S2069	5834	-	-
90	1983-1984	W/CD-Alternator	NLA	S2069	5834	-	-
90	1990	All Models	NLA	5393 / 7393	5834	PT116N	* 803632T
90	1990	L Drive A	NLA	5393 / 7393	5834	6231	8268
90	1990	L Drive C	NLA	5393 / 7393	5834	6231	8268

Honda

Johnson
Evinrude

Mercury

Suzuki

Tohatsu

Yamaha

Rigging &
Shop Supplies

Chrysler & Force Ignition

HP	Year	S/N-Model	Ignition	Stator	Trigger	Rectifier	Ign Coil
90	1991	L DriveB & D	114-7778	174-8778 (a) 174-9710 (b)	7029-3	194-5279	18-5186
90	1991	D	114-7778	174-8778 (a) 174-9710 (b)	7029-3	194-5279	18-5186
90	1991	E000001-E009499	114-7778	174-8778 (a) 174-9710 (b)	7029-3	194-5279	18-5186
90	1991	A, C & E	116-8301	176-3095	3029-3	155-1450	182-4475
90	1991	E009500 -E039023	114-7778	174-8778 (a) 174-9710 (b)	7029-3	194-5279	18-5186
90	1992-94	E039024 -E093699	114-4953	174-8778 (a) 174-9710 (b)	7029-3	194-5279	18-5186
90	1995	E093700 -E138599	114-4953	174-8778 (a) 174-9710 (b)	7029-3	194-5279	18-5186
90	1996-99	E138600 -E369299	114-7509	2075K1 (a) 2075K2 (b)	8302-3	194-5279	-
100	1979-1984	MagnaPower	115-3301	NLA	135-4048	152-9209	182-5475
105	1976	HB/BF/HF	115-3301	NLA	135-4048	152-9209	182-5475
105	1977-78	MagnaPower	115-3301	-	135-4048	152-9209	182-5475
105	1982-83	MagnaPower	115-3301	-	135-4048	152-9209	182-5475
115	1977-82	MagnaPower	115-3301	-	135-4048	152-9209	182-5475
115	1983-84	W/CD-Alternator	116-5301	176-5095	5029-4	155-1450	182-4475
120	1976	BF/HF	115-3301	-	135-4048	152-9209	182-5475
120	1977	MagnaPower	115-3301	-	135-4048	152-9209	182-5475
120	1990-91	E000001-E0006550	116-8301	176-3095	4029-4	155-1450	182-4475
120	1992-95	E006551 -E138599	114-5772	174-8778 (a) 174-9710 (b)	7029-4	194-5279	18-5186
120	1996-99	E138600 -E369299	114-7509	2075K1 (a) 2075K2 (b)	8303-4	194-5279	-
120	1990	L Drive A, B & C	116-8301	176-3095	4029-4	155-1450	182-4475
120	1991-92	L DriveB & D	114-5772	174-8778 (a) 174-9710 (b)	7029-4	194-5279	18-5186
125	1981-82	W/CD-Alternator	116-5301	176-5095	5029-4	155-1450	182-4475
125	1983-84	All Models	116-5301	176-5095	5029-4	152-9209	182-4475
125	1985	All Models	116-5301	176-5095	5029-4	152-9209	182-4475
125	1986	A	116-5301	176-5095	5029-4	152-9209	182-4475
125	1986	B	116-3301	176-3095	4029-4	152-9209	182-4475
125	1987-88	A & B	116-3301	176-3095	4029-4	152-9209	182-4475
125	1988	C	116-8301	176-3095	4029-4	152-9209	182-4475
125	1989	A, B, C, D, E	116-8301	176-3095	4029-4	152-9209	182-4475
125	1989	L DriveA & B	116-8301	176-3095	4029-4	155-1450	182-4475
135	1976	BF/HF	115-3301	-	135-4048	152-9209	182-5475
135	1977	MagnaPower	115-3301	-	135-4048	152-9209	182-5475
140	1978-84	MagnaPower	115-3301	-	135-4048	152-9209	182-5475
150	1989-90	89A & 90C	116-8301	176-3095	4029-5	155-1450	182-4475
150	1990-91	90D & 91A	116-8301	176-3095	4029-5	155-1450	182-4475
150	1991-1992	91B/C/D/F/J-92A/C	116-7323	6231K2 (c) 176-4796 (d)	7029-5	194-5279	18-5186
150	1991-92	E000001 -E009499	116-7323	6231K2 (c) 176-4796 (d)	7029-5	194-5279	18-5186

(a) 9 Amp (b) 16 Amp (c) Replacement for OEM stator (d) Stator replacement for the 332-4796A78 Converter

* Indicates an item that is available as special order OEM

Honda

Johnson
Evinrude

Mercury

Suzuki

Tohatsu

Yamaha

Rigging &
Shop Supplies



Chrysler & Force Electrical

HP	Year	S/N-Model	Harness	Starter Motor	Solenoid	Trim Motor	Relay
90	1991	L DriveB & D	NLA	5393 / 7393	5834	6231	8268
90	1991	D	NLA	5393 / 7393	5834	PT116N	* 803632T
90	1991	E000001-E009499	NLA	5393 / 7393	5834	6276	151
90	1991	A, C & E	NLA	5393 / 7393	5834	PT116N	* 803632T
90	1991	E009500 -E039023	NLA	5393 / 7393	5834	6276	151
90	1992-94	E039024 -E093699	* 827244A1	5393 / 7393	5834	6276	151
90	1995	E093700 -E138599	* 827244A1	5393 / 7393	5834	6276	151
90	1996-99	E138600 -E369299	* 828297A1	5393 / 7393	5834	6276	151
100	1979-1984	MagnaPower	NLA	S2069	5834	-	-
105	1976	HB/BF/HF	NLA	S2069	5834	-	-
105	1977-78	MagnaPower	NLA	S2069	5834	-	-
105	1982-83	MagnaPower	NLA	S2069	5834	-	-
115	1977-82	MagnaPower	NLA	S2069	5834	-	-
115	1983-84	W/CD-Alternator	NLA	S2069	5834	-	-
120	1976	BF/HF	NLA	S2069	5834	-	-
120	1977	MagnaPower	NLA	S2069	5834	-	-
120	1990-91	E000001-E0006550	NLA	5393 / 7393	5834	6231	8268
120	1992-95	E006551 -E138599	* 827244A1	5393 / 7393	5834	6276	151
120	1996-99	E138600 -E369299	* 828297A1	5393 / 7393	5834	6276	151
120	1990	L Drive A, B & C	-	5393 / 7393	5834	6231	8268
120	1991-92	L DriveB & D	-	5393 / 7393	5834	6231	8268
125	1981-82	W/CD-Alternator	-	S2069	5834	6216	-
125	1983-84	All Models	-	5393 / 7393	5834	6216	-
125	1985	All Models	-	5393 / 7393	5834	6216	-
125	1986	A	-	5393 / 7393	5834	6216	-
125	1986	B	-	5393 / 7393	5834	6216	-
125	1987-88	A & B	-	5393 / 7393	5834	PT116N	* 803632T
125	1988	C	-	5393 / 7393	5834	PT116N	* 803632T
125	1989	A, B, C, D, E	-	5393 / 7393	5834	PT116N	* 803632T
125	1989	L DriveA & B	-	5393 / 7393	5834	PT116N	* 803632T
135	1976	BF/HF	-	S2069	5834	-	-
135	1977	MagnaPower	-	S2069	5834	-	-
140	1978-84	MagnaPower	-	S2069	5834	-	-
150	1989-90	89A & 90C	-	5393 / 7393	5834	PT116N	* 803632T
150	1990-91	90D & 91A	-	5393 / 7393	5834	6276	151
150	1991-1992	91B/C/D/F/J-92A/C	-	5393 / 7393	5834	PT116N	* 803632T
150	1991-92	E000001 -E009499	-	5393 / 7393	5834	6276	151

* Indicates an item that is available as special order OEM

Honda

Johnson
Evinrude

Mercury

Suzuki

Tohatsu

Yamaha

Rigging &
Shop Supplies

Stators

NOTE: CDI Electronics manufactures replacement stators for Force, Mariner and Mercury engines, using either the CDM modules or the standard switch box ignition system. In order to provide the correct replacement stator for your application, we offer the following information:

The "RED" series stator is recommended for CDM ignitions systems ONLY.

Pro Marine part numbers for the stator are 2075K1 (9 Amp) and 2075K2 (16 Amp) Stators for standard switch box ignition systems:

Engines manufactured from 1988 to 1995 using the one-piece cast flywheel will use either the 174-8778 or 174-9710 stators. The 174-8778 (9 Amp) stator can be used on engines with or without the rectifier / regulator. The 174-9710 (16 Amp) stator can only be used on engines equipped with a rectifier / regulator.

It is recommended that the original equipment stator part number

Honda

Johnson
Evinrude



834949
Adapter Kit, Red Stator
Mercury 30-125hp 94 & up
Force 40-120 SportJet 90-120
Cross Ref #:
8M0021548, 834949A4
\$115.83 D92L66R



5873
Stator Kit
Mercury 30-120hp
Force 40-120 SportJet 120
Cross Ref #:
398-832075A4, A21, 18-5873,
9-25509
\$414.90 D245L15R

Mercury



5870
Stator, Red CDM Models
Mercury 30-125hp 94 & up
Force 40-120 SportJet 90-120
Cross Ref #:
398-832075A21, 18-5870, 398-
832075A4, 9-25507
\$249.91 D149L95R

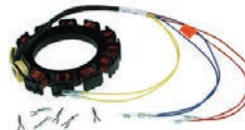


2075K1
Stator Replacement, 9amp Red
Mercury 40/45/50hp 4cyl wCDMs
Force 40-120 SportJet 90-120
Cross Ref #:
398-832075A20, 398-9873A15
\$326.00 D171L50R

Suzuki



2075K2
Stator Replacement, 16amp Red
Mercury 30-125hp 2-4cyl wCDMs
Force 40-120 SportJet 90-120
Cross Ref #:
398-832075A21,
\$303.00 D159L00R



174-9710
Stator, 16amp 1 Piece Flywheel
Mercury 40-125hp w Switch Box
Force 120hp
Cross Ref #:
9710A45, A36,
\$354.00 D186L00R

Tohatsu



176-5095
Stator w/ Plugs 2,3,4cyls
Force 55-85hp
F616095
Cross Ref #:
300-888792,
\$399.00 D210L00R



176-3095
Stator, 2-5cyl Fork Term
Force 50-150hp 89A-91A
Cross Ref #:
300-888793,
\$337.00 D177L00R

Yamaha

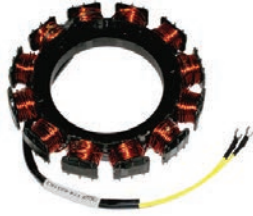


174-8778
Stator, 9amp 1 Piece Flywheel
Mercury 70-115hp w Switch Box
Force 40-120 SportJet 90/120
Cross Ref #:
398-8778A23, 26, 27,
\$344.00 D183L00R



6231K1
Stator 40amp
Force 150hp 5 cyl
Mercuriser 170/470 3.7L
Cross Ref #:
398-6231A12,
\$325.00 D171L00R

Rigging &
Shop Supplies



6231K2
Stator, 15amp
Force 150 5cyl
1991-1992
Cross Ref #:
398-6231A5, 6231A13,
\$217.00 D114L00R



176-4796
Converter Stator
Force 150hp 5cyl
1991-1992
Cross Ref #:
332-4796A8, 398-6231, 332-4796A4,
332-4796A8
\$411.00 D216L00R

Honda

Triggers



5744-2
Trigger, Short Arm
Force 40/50hp 2cyl w CDMs
1996-1997
Cross Ref #:
828301, 854509, 855744A11,
855744A2
\$125.00 D65L50R



9527-2
Trigger, Short Arm
Force 40/50hp 2cyl wCoils
Cross Ref #:
819527A1,
\$74.99 D39L00R

Johnson
Evinrude



8029-2
Trigger Sensor, Dual CD Coils
Force 50hp 2cyl Model C
Cross Ref #:
300-888000,
\$303.00 D159L00R



4029-2
Trigger Sensor Terminal Ends
Force 50/60hp 2cyl
Cross Ref #:
300-888798,
\$301.00 D158L00R

Mercury



5029-2
Trigger Sensor Plug Connector
Force 60hp 2cyl
1984-1985
Cross Ref #:
300-F475029, F475029, 300-
F485029, 475029
\$221.00 D116L00R



7029-3
Trigger, Long Arm
Force 70/90hp 3cyl 91-95 wCoil
SportJet 90
Cross Ref #:
817029A9, 817029A3
\$105.00 D55L00R

Suzuki



8302-3
Trigger, Long Arm CDM engines
Force 75-90hp 3cyl 1996-1999
SportJet 90 1993-1997
Cross Ref #:
828302A1, 855745A11, 828302A1,
855745A11
\$108.00 D56L75R



3029-3
Trigger, No Plug
Force 85hp
Cross Ref #:
300-888795,
\$260.00 179L00

Tohatsu



6029-3
Trigger, Plug Connector
Force 85hp 3cyl 83-86
Chrysler 85hp 82-84
Cross Ref #:
300-888795, F616029, F616029,
616029, 888795
\$341.00 D179L00R



135-4048
Trigger Sensor Pre Amp
Chrysler 70-140hp
Cross Ref #:
FA14048-2, F14048-2, 14048-
2, F14048-2
\$183.00 D96L00R

Yamaha

Rigging &
Shop Supplies

Chrysler / Force Electrical Components



7029-4
Trigger, Long Arm
Force 120hp 4cyl wCoils
1990-1995
Cross Ref #:
817029A4, 817029A11
\$103.00 D54L00R



8303-4
Trigger, Long Arm CDM Engines
Force 120hp 4cyl 96-99
SportJet 120hp 96-200
Cross Ref #:
828303A1, 855745A22
\$81.99 D43L00R



4029-4
Trigger Sensor wPlug Connector
Force 120/125hp 4cyl
Cross Ref #:
300-888797,
\$428.00 D225L00R



5029-4
Trigger Sensor, Plug Connector
Force 125hp 4cyl
Chrysler 90-125hp
Cross Ref #:
300-888794, F615029, 615029,
888794
\$342.00 D180L00R



4029-5
Trigger Sensor, Fork Terminals
Force 150hp 5cyl
Prestolite Ignition
Cross Ref #:
300-F694029-2, F694029-2, 694029,
888799
\$365.00 D192L00R



7029-5
Trigger, Coil
Force 150hp 5cyl
1991BCDFJ 1992A
Cross Ref #:
817029A6, 817029A5
\$211.00 D111L00R

Switch Boxes & Ignition Packs



5775
Switch Box
Mercury 50-90 3cyls 135-200 V6
Force 70/90
Cross Ref #:
332-7778A12, 18-5775, 332-
7778A6, 9-25100
\$141.10 D83L67R



18495
Switch Box
Force 40/50hp
1992-1995
Cross Ref #:
18495A13, 18495A6
\$315.75 D252L60R



114-7778
Switch Box
Mercury 50-90 3cyl 135-200 V6
Force 70/90 SportJet 90
Cross Ref #:
332-7778A12,
\$226.00 D123L50R



114-5772
Switch Box
Mercury 40-115hp 4cyl
Force 120hp
Cross Ref #:
332-5772A5,
\$285.00 D170L00R



114-6866
Switch Box
SportJet 120
Cross Ref #:
332-826866A2,
\$368.00 D204L00R



113-8362
Power Pack, Prestolite
Johnson/Evinrude
Force
Cross Ref #:
381884,
\$468.00 D260L00R



2379K3
Ignition Kit 1 Cyl BIM 1 Repl
Force 5hp
1989-1993
Cross Ref #:
F12475,
\$203.00 D112L50R



116-5475
Ignition Pack, Coil & CD
Chrysler 7.5-8hp
Cross Ref #:
F525475, 525475
\$239.00 D132L50R



116-0301
Ignition Pack, Prestolite Term
Chrysler Force 9.9-15hp
1979-1984
Cross Ref #:
300-F510301, F510301, 510301
\$411.00 D228L00R



116-2379
Ignition Kit, 2 Cyl BIM I Rep
Force 9.9-15hp 2cyl
Chrysler Sears 5-15hp
Cross Ref #:
F712475, F12379,
\$279.00 D154L50R



115-3301
Ignition Pack, Points Pre Amp
Chrysler 35-140hp
MOT 6CB2012A
Cross Ref #:
300-817855A1,
\$411.00 D228L00R



114-4952
Ignition Pack
Force 40/50hp 2cyl
1994-1995
Cross Ref #:
18495A13, 18495A11, 18495A4,
18495A5, 18495A6, 18495A8
\$323.00 D179L00R



116-8475
Ignition Pack, Coil & CD Terms
Force 50hp
Cross Ref #:
300-888790, 300-F658475, 300-
88790, 65475, 888790
\$318.00 D176L25R



116-9301
Ignition Pack Prestolite Plug
Force
Cross Ref #:
300-F888789,
\$336.00 D186L50R



116-8301
Ignition Module, Blue Pack
Force 50-125hp
1988-1992
Cross Ref #:
300-888788,
\$381.00 D211L25R



116-5301
Ignition Pack, Prestolite Plug
Force 55-125hp
Cross Ref #:
300-888787, 300-F475301-1,
475301-1, 888787
\$414.00 D230L00R



116-3301
Ignition Pack, Prestolite Term
Force 85/125hp 86-88
Cross Ref #:
817974A1,
\$403.00 D223L75R



116-7323
Ignition Pack, Single
Force 150hp 5cyl
1991 BCDFJ, 1992A
Cross Ref #:
817323A3, 817323A1, 817323A2
\$472.00 D262L00R

Regulators & Rectifiers



5742
Voltage Regulator
Force 16-20amp Systems 91-92

Cross Ref #:
815279-2, 18-5742
\$184.00 D138L00R



155-1450
Voltage Regulator, 4 & 5 Wire
Force 50-150hp 90-94
Chrysler 25-135 74-80

Cross Ref #:
F369450-1, F12352-1, F311450, 155-9450
\$105.00 D55L00R



152-9209
Rectifier, 20amp
Force 25-140hp
Chrysler 9.9-140 76-84

Cross Ref #:
F650450, F684450,
\$47.99 D25L00R

Ignition Coils



185-2370
Coil, Magneto Ignition
Force 9.9-15
Chrysler 6-35hp Sears 7.5-15

Cross Ref #:
889493A01, A12370, FA12370,
FK12369, F12370, 889493
\$118.00 D62L00R



116-8475
Ignition Pack, Coil & CD Terms
Force 50hp

Cross Ref #:
300-888790, 300-F658475, 300-888790, 65475, 888790
\$318.00 D176L25R



182-4475
Coil, Ignition w/Brkt & Wire
Force 50-150hp

Cross Ref #:
300-888791, F615475, F684475,
F684475-1, 615475, 684475, 888791
\$123.00 D62L25R



182-5475
Coil, Ignition
Chrysler 45-140hp
1974-1984

Cross Ref #:
F345475-2, 345475-1, 345475-2
\$109.00 D57L25R



18-5186
Coil, Ignition
Mercury 20-200hp
Force 40-150 SportJet 175-210

Cross Ref #:
339-832757A4,
\$41.57 D23L54R

Honda

Johnson
Evinrude

Mercury

Suzuki

Tohatsu

Yamaha

Rigging &
Shop Supplies

Plug Wires

Chrysler
Force

Honda

Johnson
Evinrude

Mercury

Suzuki

Tohatsu

Yamaha

Rigging &
Shop Supplies



3024
Spark Plug Wire 5"
Mercury 30-200hp
Force
Cross Ref #:
84-813706A55,
\$5.50 D2L99R



3025
Spark Plug Wire 7"
Mercury
Force
Cross Ref #:
84-821945A28,
\$5.53 D2L99R



3026
Spark Plug Wire 9"
Mercury 150-200hp
Cross Ref #:
84-813715A1,
\$7.14 D3L99R



3027
Spark Plug Wire CDM Ignition
Mercury 30-300hp
Force 40-120hp SportJet 90-120
Cross Ref #:
84-821945A61,
\$6.99 D3L99R



8515
Spark Plug Wire 90deg Boot
Cross Ref #:
\$23.80 D12L95R



18-5225
Spark Plug Wire Kit 25ft
universal
Cross Ref #:
\$43.17 D25L61R



934-1945
Spark Plug Wires, Inductive
Mercury 40-250HP 7mm
Force 40-120hp SportJet 90-120
Cross Ref #:
84-821945A61, 84-821945T65, 84-
821945T74
\$111.00 D58L00R



312B
Spark Plug Cap, NGK Black
Cross Ref #:
8636,
\$6.17 D3L95R



312R
Spark Plug Cap, NGK Red
Cross Ref #:
8955,
\$6.65 D3L95R

**We stock Spark Plugs in both
NGK & Champion Brands
Call for Applications & Pricing**

Honda



414-6075
 Harness, Engine
 SportJet 90-120hp

Cross Ref #:
 84-826075A2,
\$146.00 D76L50R

Johnson Evinrude



28870
 Kill Switch & Lanyard
 Johnson/Evinrude

Cross Ref #:
 585134, MP28870
\$35.89 D19L93R



39160
 Push Switch, Momentary On

Cross Ref #:
 , MP39160
\$17.49 D9L71R

Mercury



8810
 Key Switch, Ignition Wire Ends
 Mercury 30-250hp
 SportJet 90/95

Cross Ref #:
 87-88107, 87-88107A 5
\$50.15 D40L12R

Suzuki

Tohatsu

Yamaha

Rigging & Shop Supplies

Can't find what you need?

Give our knowledgeable sales staff a call for help finding exactly what you need!

1-800-621-7761 or visit our website www.ProMarineUSA.com

Tired of waiting on the phone?

Check out our new Express Part Number ordering line.

Gather your Pro Marine Part #s, call us @ 1-800-621-7761,

Press 1 when prompted and you'll be bumped into the front of the line!

**** Must have Pro Marine Parts #s ready - Any parts lookup will require additional hold times ****



**Starter Motor Large 10 Tooth
Force 50hp 2cyl / Chrysler 25-35hp**

X-ref # 50-F575955,898265011, 51-4955

- 5551 (Arco) - \$184.95** D128L95R
- DV551 (DriveGear) - \$23.95** D16L95R
- SR390 (Brush Kit) - \$29.95** D20L95R



**Starter Motor 11 Tooth
Force 50hp / Chrysler 35-50hp**

X-ref # 50-F575955,898265011, 18-6439,

50-F575955

- 5382 (Arco) - \$175.95** D122L95R
- SR390 (Brush Kit) - \$29.95** D20L95R



**Battery Stud Exits the Side of
Starter**

**Starter Motor 13 Tooth
Force 40/50hp 1992-1994**

X-ref # 50-819271,820193A1, 18-5614, 50-819271

- 5397 (Arco) - \$188.95** D131L95R
- S2047M (MES) - \$171.69** D112L88R
- DV397 (Drive Gear) - \$23.95** D16L95R
- SR372 (Brush Kit) - \$29.95** D20L95R



**Battery Stud Exits the Bottom
of Starter**

**Starter Motor 13 Tooth ARCOForce
40-50hp 1996-1999**

X-ref # 50-820193, 18-5622

- 5394 (Arco) - \$188.95** D131L95R
- S2044M (MES) - \$125.90** D81L84R
- DV397 (Drive Gear) - \$23.95** D16L95R
- SR394 (Brush Kit) - \$29.95** D20L95R



**Starter Motor 9 Tooth ARCOForce
70-150hp 1983-1999**

X-ref # 50-819085, 898265002, 18-5644, 50-819085T 1

- 5393 (Arco) - \$194.95** D135L95R
- S2069M (MES) - \$148.33** D89L00R
- DV393 (Drive Gear) - \$22.95** D15L95R
- SR393 (Brush Kit) - \$29.95** D20L95R



**Starter Motor 9 Tooth
SportJet 90-120hp**

X-ref # 50-819968, 18-5618, 50-819968 1, 50-819968T 4

- 7325 (Arco) - \$194.95** D135L95R
- DV325 (Drive Gear) - \$22.95** D15L95R
- SR393 (Brush Kit) - \$29.95** D20L95R

Drive Gears



DV325
Drive Gear, Starter
SportJet 90-120hp

Cross Ref #:
820583,
\$22.95 D15L95R



DV372
Drive Gear 10 Tooth
Johnson Evinrude
Force 50hp

Cross Ref #:
385949, F15182, 18-5656, 385949
\$22.95 D15L95R



DV382
Drive Gear 11 Tooth
Force 35-50hp

Cross Ref #:
F15182,
\$23.95 D16L95R



DV393
Drive Gear 9 Tooth
Force 70-150hp

Cross Ref #:
819222,
\$22.95 D15L95R

Honda

Johnson
Evinrude

Mercury

Suzuki

Tohatsu

Yamaha

Rigging &
Shop Supplies

Chrysler / Force Starters & Components



DV394
Drive Gear 13 Tooth
Force 40/50hp
1998-1999
Cross Ref #:
F15185, 802665T
\$23.95 D16L95R



DV397
Drive Gear
Force 40/50hp
1992-1994
Cross Ref #:
811902,
\$23.95 D16L95R



DV551
Drive Gear
Force Chrysler

Cross Ref #:
F15182,
\$23.95 D16L95R

Brush Kits & Loading Tool



SR107
Loading Tool, Brush
Make Loading your brushes as easy as 1 - 2 - 3!!
Cross Ref #:
,
\$22.95 D15L95R



SR372
Brush Kit, Starter End Cap
Johnson Evinrude 85-140hp V4
Mercury 35-50hp
Cross Ref #:
385667, 57389,
\$29.95 D20L95R



SR390
Brush Kit, Starter End Cap
Johnson Evinrude 20-35hp 2cyl

Cross Ref #:
384608,
\$29.95 D20L95R



SR393
Brush Kit, Starter End Cap
Force 70-150hp
1983-1999
Cross Ref #:
F15189, 75384,
\$29.95 D20L95R



SR394
Brush Kit, Starter End Cap
Force 40/50hp

Cross Ref #:
820595,
\$29.95 D20L95R



BK900
Brush Kit, Starter PMGR
Mercury, J/E, Yamaha

Cross Ref #:
,
\$21.95 D14L95R



1937M
Solenoid, Starter
Mercruiser & Mercury
Force 35-50hp Older Models
Cross Ref #:
25661, F177917, SW661, 18-5836,
508905, 72480
\$11.90 D7L74R



5815
Solenoid, Starter & Trim
Chrysler/Force 40-125hp Newer Models
Mercury 135-200hp 2.0-2.5L
Cross Ref #:
89-68258A4, F460917-1, 18-5815,
72370, 9-15111
\$22.95 D15L95R



5834
Solenoid, Starter
Mercury 75-300hp L3-3.0L V6
Force 40-120 SportJet 90-250
Cross Ref #:
89-817109A3, 18-5834, 72500, 89-
817109A 2
\$28.95 D19L95R



8268
Relay Harness 3 wire to 2 wire
Mercury 25-50hp 4 Stroke
Sportjet 90-120 1995 w/ Relays
Cross Ref #:
84-826075A2, 84-826802A14
\$69.99 D48L27R



312B
Spark Plug Cap, NGK Black
Cross Ref #:
8636,
\$6.17 D3L95R



312R
Spark Plug Cap, NGK Red
Cross Ref #:
8955,
\$6.65 D3L95R

Honda

Johnson
Evinrude

Mercury

Suzuki

Tohatsu

Yamaha

Rigging &
Shop Supplies

Chrysler / Force
Trim Motors & Components



Motor Only



Trim Motor 2 Wire
Mercury 20-50hp 2&4 stroke
Force 40-50hp 1995-1998

X-ref # 827675A1, 18-6286

6255 (Arco) - \$239.95 D167L95R

T1074M (MES) - \$199.95 D136L95R

PT116N

Trim Motor & Reservoir 2 Wire
Force 85-150hp

1986-1991

X-ref # 820545, F694541-1

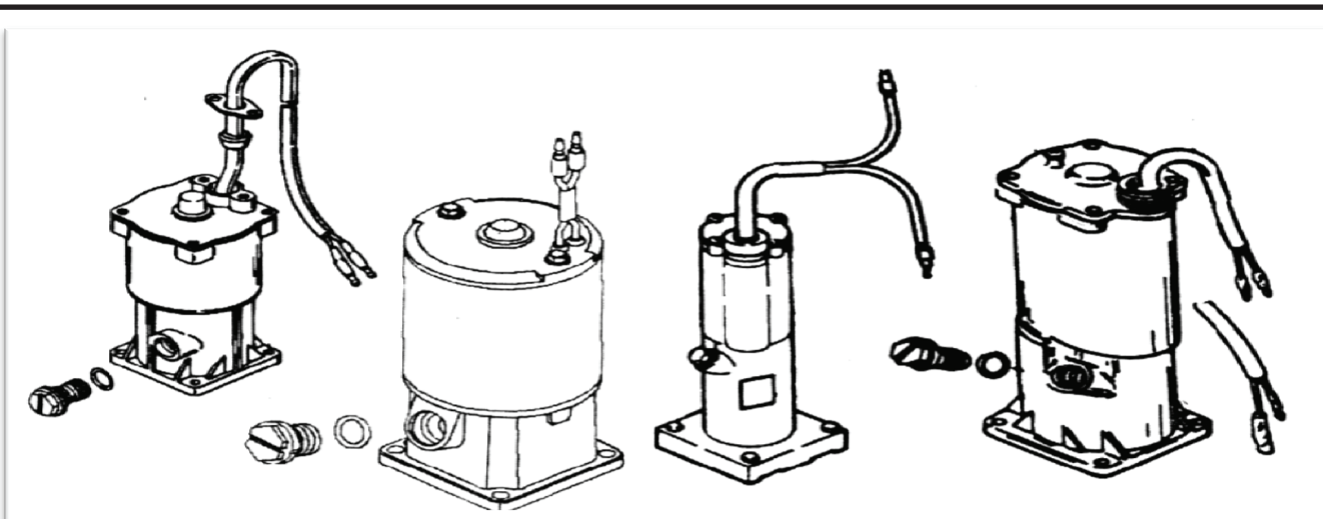
Retail: \$271.00 D193L00R

PT116NP

Trim Motor and Pump Assy
Force 85-150hp 1986-1991
Suzuki DT65-DT140 1990-1994

X-ref # 820545, 9-18208

Retail: \$502.00 D358L93R



If your trim motor look like any of these and has 2 wires use **6276**, or **T1075M**

For 3 Wire use **6274A**

For Replacement O-Ring Seal Order **6276-0**



Trim Motor 2 Wire
Force 40-75hp 91-97 811699

X-ref # 809885A1, 893907A02, 18-6777,
809885A 2, 9-18203

6276 (Arco) - \$312.95 D218L95R

T1075M (MES) - \$245.99 D171L58R

6276-0 (O-Ring) - \$1.49 DL95R

TAK276

Hardware Kit for 6276
Mercury
Force

X-ref # MP51010,

Retail: \$27.95 D18L95R

6274A

Trim Motor & Reservoir 3 Wire
Force 90-120hp
Late Model Force w/ Merc lower
Unit & Single Ram.

X-ref # 824051, 8M0055012,

Retail: \$347.95 D242L95R



6231
Trim Motor, for Oildyne
Force 85-125hp L Drive

X-ref # , 722451
Retail: \$135.95 D94L95R

No Pump



6216
Trim Motor 3 Wire
Johnson/Evinrude
Force Chrysler 44-9541
X-ref # 172543,382175, F17563,
172543, 18-6762, 382715
Retail: \$271.95 D189L95R

Relays & Switches



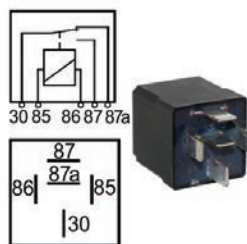
VB112
Valve Body, Power Trim
Force 85-125hp Chrysler 70-140
Johnson/Evinrude 70-115
172592
Cross Ref #:
F17564, 9-18209
\$281.00 D200L00R



8268
Wiring Harness Kit
Converts 2 wire trim motors for
use on older 3 wire systems
Cross Ref #:
84-826075A2, 84-826802A14
\$69.99 D48L27R
Replacement Relay Part # 1561



151
Relay, Power Trim
Mercury 30-90hp
Force 40-50hp
Cross Ref #:
882751A1, 3854138, 73040,
828151, 828151A 1, 882751A 1
\$11.36 D6L82R



1561
Relay Trim / Fuel
J/E = Trim / Volvo = Fuel Pump
Force Trim 3-6Cyl 82 & Later
Cross Ref #:
584416, 18-5705, 3857533, 73010,
9-15200
\$11.58 D7L29R



5819
Solenoid, Trim
Mercury 75-225hp
Force 90-120
Cross Ref #:
89-818997T1, 18-5819, 72402, 89-
818997T 1
\$28.95 D19L95R



FT1
Trim Control, Finger Flex Sing
Cross Ref #:
\$65.40 D42L50R



ST2
Trim Switch, Coiled Cord
Universal
Cross Ref #:
\$88.57 D62L62R



ST3
Trim Switch Transom
Universal
Cross Ref #:
\$38.50 D25L16R

Chrysler Impellers

HP	Model	Serial #	Impeller
35	350 thru 355 HA, HC, HD 356/357HA, HB	All	3084
35	350HF	4901 & up	3084
35	351HF	1001 & up	3084
35	352/353H2P/H9L, 353HOM, HIN	All	3084
35	354HF	14119 & up	3084
35	355HF	14227 & up	3084
35	356HD	11106 & up	3084
35	357HD	14223 & up	3084
45	450 thru 457HA, HC, HD 458/459HA, HB	All	3084
55	551HA	All	3085
55	554 thru 559HA, HD	All	3084
70	709HOAN, 49A	All	3085
70	T700H9A, 706/707HA, HC, HD, HE	All	3085
75	T750H9A, 757H9E, P.S759H9A	All	3085
85	856/857HA, HC, HD	All	3085
105	1056/1057HA-HE, 1058HA-HC	All	3085
120	1206/1207HA-HE, 1208HA-HC	All	3085
135	1358HA-HC	All	3085
150	1508HA	All	3085

Chrysler Thermostats

HP	Year	Part #
35	1970-84	1042
40	1992-97	1042
45	1970-84	1042
50	1981-97	1042
55	1970-76	1042
70	1970-71	422
75	1975-77	422
75	1996-97	422
85	1989	422
85	1970-73	422
90	1974-77	422
105	1970-77	422
120	1970-75	422
120	1990-97	422
125	1988	422
130	1972	422
135	1971, 1974-77	422
150	1989-94	422

Force Cooling

HP	Engine Type	Year	Impeller	Water Pump	Impeller Kit	Thermostat
9.9-15	ALL	1974-97	8903	-	2843	403
9.9-15		1998	3062	4208	-	403
20	ALL	1973-78	8903	-	2843	403
20	ALL	1979-82	8901	-	-	403
25	ALL	1973-78	8903	-	2843	403
25-50	All	thru 1994	8904	-	-	1042
25, 40, 50	-	1995-99	3057	9915	3215	1042
30	ALL	73-75, 79-82	8901	-	-	403
35	ALL	76-78, 86-87	8901	-	-	403
40-50	ALL	1998-UP	3057	9915	3215	-
70-75	ALL	1991-98	8900	3529 ①	-	1042
75		1999-UP	3056		3214	422
	A, B	1983-89	-	-	-	-
85	A, B, L Drive, F,G & H	1989	-	-	-	18-3559
85	D, F, G, H	1989	3017	3218	2846	422
85	L-Drive - All	1989	3017	3218	2846	422
85		1975-89	3065	2011	2012	422
90	A, B, C,	1990	3017	3218	2846	422
90	L-Drive A, C	1990-94	3017	3218	2846	422
90, 120		1995-97	3056	3570	3214	1042
120	All	1990	3017	3218	2846	422
120	L-Drive - All	1990	3017	3218	2846	422
125	A, B, C	1981-88	3065	2011	2012	422
125	D, E	1989	3017	3218	2846	-
125	L-Drive - All	1989	-	-	-	422
150	ALL	1989-Up	3017	3218	2846	422

① For lower base must order 18-3445

Honda

Johnson
Evinrude

Mercury

Suzuki

Tohatsu

Yamaha

Rigging &
Shop Supplies



1042
Thermostat 130? F
Force 40-50hp
Mercury 30-40hp
Cross Ref #:
F97068-2, 13200, 18-3556, 9-43025
\$21.27 D12L70R



3559
Thermostat 110?F
Force 75-125hp Older Models
Chrysler 75-140hp Older Models
Cross Ref #:
F528068, 18-3559
\$41.99 D24L50R



422
Thermostat Brass 143
Chrysler 75-135hp 1975-1977
Cross Ref #:
396987,F335068, 13080, 18-3557,
9-43024
\$30.44 D17L17R



403
Thermostat 143?F Brass
Force 70-150hp 89-95 &
SPRTJET
Cross Ref #:
5005440, F664068, 13010, 13010,
18-3553, 18-3553, 437414, 9-43019
\$11.99 D9L15R



403S
Thermostat 143?F Stainless
Johnson/Evinrude 9.5-235hp
Force 70-150hp 89-95 &
SPRTJET
Cross Ref #:
393659,
\$16.99 D12L19R



0854
Gasket, Thermostat Cover
Force 85-150 Sport Jet 90
Chrysler 70-140
Cross Ref #:
27-F476067, 18-0854, 37410,
828319
\$1.69 DL71R

Water Pump Impellers



3062
Impeller, Water Pump
Mercury 6-15hp
Force 9.9-15hp 1998
Cross Ref #:
47-42038 2, 18-3062, 89451,
9-45309
\$19.94 D11L40R



8903
Impeller, Water Pump
Chrysler/Force 9.9 1974-97
25hp 1973-78
Cross Ref #:
47-F436065-2, 18-8903, 89614
\$14.69 D8L61R



8901
Impeller, Water Pump
Force 35hp 86-88
Chrysler 25-35hp 83-84
Cross Ref #:
47-F462065, 18-8901, 9-45000
\$41.49 D24L07R



8904
Impeller, Water Pump
Force 25-50hp 89-94
Chrysler 45/50hp 83-84
Cross Ref #:
F433065-2, F433065-1, 47-F433065-2
\$22.10 D14L73R



3057
Impeller, Water Pump
Force 25-50hp 1995-1999
Cross Ref #:
47-85089, 18-3057, 47-85089 10,
850893, 89640
\$16.33 D9L80R



3084
Impeller, Water Pump
Chrysler 35hp
1979-1982
Cross Ref #:
47-F40065-2, 18-3084
\$34.47 D19L28R

Honda



3085
Impeller, Water Pump
Chrysler 70/75hp
1979-1980
Cross Ref #:
47-F84065, 18-3085
\$38.49 D22L50R



8900
Impeller, Water Pump
Mercury 3Cyl 50-60hp
Force 70-75hp 91-98
Cross Ref #:
47-19453,47-19453T, 18-8900, 47-
19453, 47-19453T, 89616, 9-45301
\$38.40 D22L00R

Johnson
Evinrude



3056
Impeller, Water Pump
Force 75hp 1999 - Up
Force 90-120hp 1995-1999
Cross Ref #:
430262, 18-3056, 43026T2, 89630,
9-45307
\$18.85 D11L49R



3065
Impeller, Water Pump
Force 85-125hp
Chrysler 75-140hp
Cross Ref #:
47-803630T,F523065-1, 47-
F523065-1, 89450
\$19.95 D9L97R

Mercury



3065-1
Impeller, Water Pump OEM
Force 85-125hp
Chrysler 75-140hp
Cross Ref #:
47-803630T,F523065-1,
\$23.30 D15L53R



3017
Impeller, Water Pump
Force 85hp 1989, 90hp 1990-94
Force 120hp 1990, 125hp 1989
Force 150hp 1989 & Up
Cross Ref #:
89984T4,
\$17.80 D10L80R

Suzuki



89984
Impeller, Water Pump OE
Force 85hp 1989, 90hp 1990-94
Force 120hp 1990, 125hp 1989
Force 150hp 1989 & Up
Cross Ref #:
46-89984T4, F694065
\$24.91 D19L93R

Tohatsu

Impeller Repair Kits (Does not include housing)

Yamaha



2843
Impeller Repair Kit
Chrysler 9.9-25hp
1974-97
Cross Ref #:
F436065, 18-3240
\$18.53 D10L96R



3215
Impeller Repair Kit
Force 25, 40, 50hp
1995-1999
Cross Ref #:
47-85089T7, 12107, 18-3215
\$31.49 D15L22R

Rigging &
Shop Supplies



3219
Impeller Repair Kit
Mercury 25-50hp 25hp 4 stroke
Force 40-50hp
Cross Ref #:
821354A 2, 12045
\$53.58 D32L15R



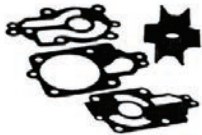
3219-1
Impeller Repair Kit OEM
Mercury 30-50hp 25 4stroke
Force 40-50hp
Cross Ref #:
821354A 2, 12045
\$51.58 D41L26R



3229
Impeller Repair Kit
Mercury 30-60hp 2&4 Stroke
Force 70/75hp 2001 & Up
Cross Ref #:
47-19453T3, 12044
\$72.67 D43L60R



2012
Impeller Repair Kit
Force 85 & 125hp
Chrysler 75-140hp
Cross Ref #:
FK1069, F523065-1, 12012
\$44.70 D26L82R



2846
Impeller Repair Kit
Force 85,90,120,125
1989-94
Cross Ref #:
694065, 18-3251
\$37.99 D22L77R



3214
Impeller Repair Kit
Force 90-120hp
Cross Ref #:
47-43026Q06, 12040, 18-3214, 47-43026T11, 47-43026T6, 47-43026T8
\$37.49 D20L94R



3214-2
Impeller Repair Kit OE
Force 90-120hp
Cross Ref #:
47-43026Q06,
\$46.59 D37L26R



3445
Seal Carrier, Driveshaft
Cross Ref #:
812966A7,
\$48.49 D36L37R

Water Pump Repair Kits



1073
Water Pump Kit w/ Housing
Force 25-50HP 89-94
Chrysler 20-50hp
Cross Ref #:
FK1073,
\$174.17 D139L33R



9915
Water Pump Kit w/Housing
Force 25, 40, 50hp 95-99
Mercury 9.9-25hp
Cross Ref #:
46-99157T2, 12014
\$82.52 D49L51R



3529
Water Pump Kit w/Housing
Mercury 40-60hp
Force 70-75hp
Cross Ref #:
46-812966A11, 12095
\$167.08 D100L25R



3317
Water Pump Kit w/Housing
Chrysler 70-75hp
1979-1980
Cross Ref #:
FK1033-1,
\$139.00 D111L20R



1202
Water Pump Kit w/ Housing
Force 1989 85hp L-Drive
1989 125hp and 125hp L-Drive
Cross Ref #:
FK1202-1, FK1202
\$95.20 D63L46R



2011
Water Pump Kit w/Housing
Force 85 & 125hp
1975-89
Cross Ref #:
FK1069, 12011
\$98.23 D58L94R

Chrysler / Force
Cooling Components



3218
Water Pump Kit w/Housing
Force 90-150hp
1990 & Up
Cross Ref #:
FK1204-1,
\$103.90 D69L26R



3570
Water Pump Kit w/ Housing
Force 90-120hp
Cross Ref #:
46-43024A6, 43024A7, 12094, 18-
3570, 9-48315
\$67.01 D40L16R



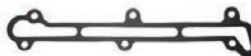
99157
Housing, Water Pump
Mercury/Force
Part of 9915 Kit
Cross Ref #:
99157A02,
\$55.70 D37L13R



HT100
Sensor, Heat 250°F
Temperature Tattle-Tale
Cross Ref #:
\$5.99 D3L99R



0854
Gasket, Thermostat Cover
Force 85-150 Sport Jet 90
Chrysler 70-140
Cross Ref #:
27-F476067, 18-0854, 37410,
828319
\$1.69 DL71R



1247
Gasket, Cylinder Drain Cover
Force 85-90 Chrysler 70-90
Sport Jet 90
Cross Ref #:
27-F85472-2, 18-0857
\$1.15 DL69R



39033
Gasket, Water Pump Plate
Mercury 50-250/Verado 135-275
30-75 4Strk/Force90-120/GenII
Cross Ref #:
27-43033 1, 18-2564, 30090
\$2.41 D1L37R



39277
Gasket, Water Pump Base
Mercury 50-250/ Verado 135-275
30-75 4Strk/Force90-120/GenII
Cross Ref #:
27-817277, 18-2566, 31240
\$2.08 D1L24R

Can't find what you need?

Give our knowledgeable sales staff a call for help finding exactly what you need!

1-800-621-7761 or visit our website www.ProMarineUSA.com

Tired of waiting on the phone?

Check out our new Express Part Number ordering line.

Gather your Pro Marine Part #s, call us @ 1-800-621-7761,

Press 1 when prompted and you'll be bumped into the front of the line!

** Must have Pro Marine Parts #s ready - Any parts lookup will require additional hold times **



30119
Washer, Motor Mount
Mercury 40-125hp
Force 75-90
Cross Ref #:
12-30119,
\$1.70 D1L13R



516
Bumper Upper Swivel Pin
Mercury 75-200hp
Force 90-120hp
Cross Ref #:
88882 1, 8M000516
\$10.70 D7L13R



67684
Retainer Ring Lower Swivel Pin
Mercury 75-300hp
Force 75-120hp
Cross Ref #:
53-67684,
\$3.00 D2L00R



816039
Spacer, Swivel Pin Lower Yoke
Mercury 75-300hp
Force 90-120hp 95-99
Cross Ref #:
23-816039,
\$9.20 D6L13R



816432
Washer, Swivel Pin
Mercury 75-300hp
Force 75-120hp
Cross Ref #:
12-816432,
\$4.80 D3L20R



8764
Bushing Swivel Pin
Mercury 75-300 Verado 135-175
Force 75-120hp
Cross Ref #:
23-818764,
\$24.30 D16L20R

Tilt Tubes & Nuts



STT-1
Tilt Tube Stainless 7/8x12-1/8
J/E 2Cyl Yamaha 3Cyl
Mercury / Force / Suzuki / Toh
Cross Ref #:
321511,
\$74.95 D49L95R



STT-F
Tilt Tube Stainless 7/8" x 12"
Force & Chrysler w Grease Nut
Cross Ref #:
819545A1,
\$84.95 D59L95R



178
Tilt Tube Grease Nut Stainless
7/8" ID
Cross Ref #:
\$34.50 D20L70R



278
Tilt Tube Grease Nut 7/8" Id
Anodized Aluminum
Cross Ref #:
\$19.95 D11L97R



SLN-2
Jam Nut Stainless 1 x 14
Mercury 75-300hp
Force 90-120hp
Cross Ref #:
11-826135,
\$8.25 D4L95R

Chrysler / Force Gears & Gearsets



803500
Gear Set Fwd/Pinion/Rev 3 Jaw
Mercury 50-90hp 3cyl
Force 90hp
Cross Ref #:
43-803500, 803500
\$731.99 D585L13R



803501
Gear Set Forward/Pinion
Mercury 50-90hp 3cyl 6 Jaw Rev
Force 75-90hp
Cross Ref #:
43-803501T 2, 11565, 803501T 2
\$545.30 D436L22R



12634
Gear, Forward
Mercury 50-90hp 3 cyl
Force 90hp 95-97
Cross Ref #:
43-12634T02, 43-12634A 2
\$374.92 D299L93R



44491
Shim Kit, Forward Gear Bearing
Gen II 1996 & Up
Mercury 40-300hp Force 75-120
Cross Ref #:
15-44491A 1, 23221
\$8.20 D4L92R



12635
Gear, Reverse 3 Jaw Clutch
Mercury 50-90hp 3cyl
Force 90hp 95-97
Cross Ref #:
43-12635T,
\$278.92 D223L13R



44484
Gear, Pinion 13 Tooth
Mercury 30-90hp 3cyl
Force 75-90hp 95-99
Cross Ref #:
43-44484T,
\$195.83 D156L65R



64460
Nut & Washer, Pinion Gear
Force 75-150hp
Verado L4&6 MC Alpha I & Gen II
Cross Ref #:
11-35921, 12-92721, 11190, 18-
3719, 9-78103
\$5.25 D3L67R



63082
Pinion Nut Washer
Force 90-150hp
Verado L4&6 MC Alpha I & Gen II
Cross Ref #:
12-92721, 18-2343, 32800, 9-78108
\$1.10 DL73R



50048
Clutch Dog, 6 Jaw Reverse
Mercury 40-125hp 3/4cyls
Force 75-120hp 96-99
Cross Ref #:
52-850048, 11063, 52-850048T
\$201.83 D161L46R



18-2236
Clutch Dog, 3 Jaw Reverse
Mercury 50-125hp 3&4cyls
Force 90-120hp 96-97
Cross Ref #:
52-822539, 11061, 52-822539T,
9-73464
\$185.41 D89L25R



18-2357
Cross Pin, Clutch Dog
Mercury 40-275 Verado
Force 75-120hp
Cross Ref #:
17-30632, 21131
\$2.85 D1L29R



65893
Clutch Dog Spring
Force 75-120hp
Verado MC I Alpha I Gen II
Cross Ref #:
24-30893, 11050, 18-2348
\$1.21 DL63R



18-1112
Bearing, Thrust Reverse
Mercury 50-125hp
Force 75-150hp
Cross Ref #:
31-12576, 22750
\$18.49 D12L02R



20839
Bearing, Reverse Gear Ball
Mercury 25-70hp
Force 40-75hp
Cross Ref #:
30-20839T, 20839, 745061130203
\$65.40 D43L60R



18-1113
Bearing, Reverse Gear
Mercury 50-125hp 3-4cyls
Force 75-150hp B2812
Cross Ref #:
31-12578T, 22760
\$22.49 D16L87R

1.125" I. D.



18-1117
Bearing, Pinion
Force 90-120hp
Alpha I, Gen II, Verado
Cross Ref #:
31-42647A 1, 21610
\$29.95 D19L95R



18-1118
Bearing, Driveshaft
Mercury 50-125 w/ 19672 Pinion
Force 75-120 w 43-19672 Pinion
Cross Ref #:
31-42677A1, 22960
\$37.49 D28L12R



883047
Bearing, Driveshaft
Mercury 50-125 w 881259 Pinion
Force 120 w 43-441259 Pinion
Cross Ref #:
31-883047A1,
\$63.70 D42L46R



18-2370
Carrier, Propshaft Bearing
Mercury 40-60hp 25 4 stroke
Force 40/50
Cross Ref #:
19291A 3, 9-72600
\$173.30 D101L62R

Shift Components



11182
Cam Follower Kit, Shift
Mercury 30-125hp
Force 75-120hp
Cross Ref #:
850315A 1, 11182, 9-78146
\$36.62 D21L97R



11184
Shift Cam, 3 Jaw Rev Gear
Mercury 40-125hp
Force 90-120hp 95-97
Cross Ref #:
76039 4, 11184
\$27.10 D16L26R



11185
Shift Cam, 6 Jaw Rev Gear
Mercury 40-125hp
Force 75-120 96-99
Cross Ref #:
850307, 11185
\$30.83 D18L23R



13058
Cam Follower Kit, Shift
Mercury 30-125hp
Force 75-120hp
Cross Ref #:
850315A1,
\$36.58 D29L26R

Lower Unit Seal Kits

Model/HP	Year	Seal Kit	Model/HP	Year	Seal Kit
6/7.5	1978-Up	2637	70	1979	1910
9.9/15	1997 & prior	2638	70	1991-95	2635
9.9/15	1998	2697-1	75	1975-79	1910
20/25	1972-78	2639	75	1980-83	1911
25	1989	2636	75	1996-98	2635
25	1996-97	2624	75	1999	2626
25	1998	2629	85	1980-89	1911
35	1970-72	1909	85 L Drive	1989	2640
35	1972 1/2	2636	90	1974-77	1910
35	1973	1909	90	1983	1911
35	1974-75	2636	90	1990-94	2640
35	1986-91	2639	90	1995-99	2626
35 B	1989-91	2636	90 L Drive	1990-91	2640
40	1992-94	2636	105	1970-76	1910
50	1984-94	2636	105	1979-83	1911
55	1972 1/2-1974	2636	120	1990-94	2640
55	1978-82	1909	120	1995-99	2626
55	1983	1908	125	1983-89	1911
60	1984 & Prior	1909	125 D & E	1989	2640
60	1985	1908	125 L Drive	1989	2640
65	All	1908	150	1989-94	2640
70	1970-73	1910			



2697-1
Seal Kit, Lower Gearcase
Mercury 6-15hp
Force 9.9/15 1998
Cross Ref #:
26-41365A 3, 18-2697-1, 87576
\$48.20 D27L85R



2629
Seal Kit, Lower Gearcase
Mercury 18-25hp
Chrysler/Force 18/25hp
Cross Ref #:
26-85090A 1, 18-2629, 87575
\$86.17 D50L18R



2624
Seal Kit, Lower Gearcase
Mercury 15-25hp
Force 25hp 1996-1997
Cross Ref #:
26-85090A 2, 18-2624, 87808,
9-74205
\$71.08 D40L95R



2636
Seal Kit, Lower Gearcase
Force 25-50HP 89-94
Chrysler 35-50hp 79-82
Cross Ref #:
FK1074,26-820645A1, FK1074, 18-
2636, 26-820645A1, 87810
\$17.88 D10L50R



2639
Seal Kit, Lower Gearcase
Force 35 86-88
Chrysler 20-35 79-82
Cross Ref #:
FK1068, 18-2639, 87805
\$49.43 D27L92R



3547
Seal Kit, Lower Gearcase
Mercury 25-50hp
Force 40-50hp
Cross Ref #:
823547A2,
\$79.80 D54L23R

Honda

Johnson
Evinrude

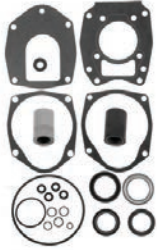
Mercury

Suzuki

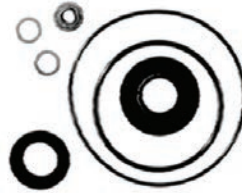
Tohatsu

Yamaha

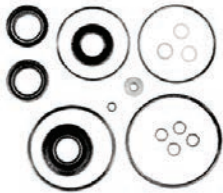
Rigging &
Shop Supplies



2626
Seal Kit, Lower Gearcase
Mercury 50-125 hp 30-115 4strk
Force 75-120hp 95-99
Cross Ref #:
26-43035A4, 18-2626, 87590
9-74200
\$52.49 D36L45R



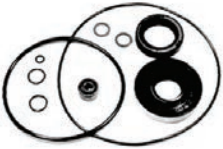
1609
Seal Kit, Lower Gearcase
Chrysler 55hp 79-80
Chrysler 35hp 70-73
Cross Ref #:
FK1060, 18-2630, 87800
\$28.49 D18L52R



1908
Seal Kit, Lower Gearcase
Force 60hp 84-85
Force 55hp 1983
Cross Ref #:
FK1127, 18-2633
\$55.99 D41L99R



2635
Seal Kit, Lower Gearcase
Mercury 70-75hp
Force 70/75hp 91-Up
Cross Ref #:
26-814669A 2, 18-2635, 87809,
9-74204
\$51.35 D29L94R



1910
Seal Kit, Lower Gearcase
Chrysler 70-105hp 1970-79
Cross Ref #:
FK1061, 18-2631, 87801
\$55.39 D31L87R



1911
Seal Kit, Lower Gearcase
Force 85-125hp 83-89
Chrysler 75-140hp 82-84
Cross Ref #:
FK1063-2, 18-2632, 87803
\$68.70 D40L54R

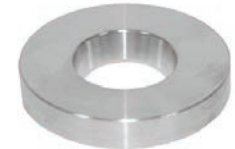


2640
Seal Kit, Lower Gearcase
Force 85-150hp
1989 & Up
Cross Ref #:
FK1203-1, 18-2640, 87807
\$78.59 D46L87R

Propshafts & Prop Hardware



11153
Propshaft, 3 Jaw Rev Gear
Mercury 50-125hp
Force 90-120hp 96-97
Cross Ref #:
44-12238T, 11153, 18-2253
\$557.43 D334L46R



18-4221
Thrust Washer, Propeller
Mercury 40hp-200hp
Force 75-90hp
Cross Ref #:
13191A1, 13191Q01,
\$21.92 D12L28R



65707
Prop Nut Kit
Mercury 50-300hp Force 75-
120hp
MC I R/MR/Alpha I Gen II Bravo I
Cross Ref #:
11-52707Q 1, 18-3701, 21250
\$11.54 D8L94R



835257K1
Flo-Torq II Hub Assembly Kit
Mercury 40-60HP & Force 90-
120
70-300HP 4 Stroke, Alpha, Brav
Cross Ref #:
835257K1,
\$55.97 D44L77R

Chrysler / Force
Misc Lower Unit Parts



12224
Propshaft Line Cutter Seal
Mercury/Force MR/Alpha I GenII
1.118" Shaft Dia 1.69"OD.36"W
Cross Ref #:
26-12224, 18-2076, 85700
\$13.13 D7L87R



18-7188
O-Ring, Drain Screw
Mercuriser Mercury Force
Cross Ref #:
,
\$2.15 D1L11R



64892
Drain Screw, Magnetic
MC I R/MR/Alpha I Gen II Bravo
Mercury 10-200hp Force 15-120
Cross Ref #:
22-67892A06, 18-2375, 21731, 22-
67892A 1, 9-72651
\$6.81 D3L30R



8164641
Oil Seal, Shift Shaft
Mercury 40-275hp Verado
Force 75,90,120hp
Cross Ref #:
26-816464 1,
\$11.90 D7L93R



9-60110
Gasket Assortment, Drain Plug
Mercury, OMC, Yamaha, Suzuki,
& Nissan/Tohatsu
Cross Ref #:
,
\$0.00 98L99



TT1
Torque Tab
Outboards 85-200hp
Cross Ref #:
,
\$19.99 D11L71R



821829
Water Screen, Cav Plate
Mercury 30-50hp 1994-06
Force 40-50hp 1995-98
Cross Ref #:
821829,
\$8.40 D5L60R



15985
Skeg, Lower Unit
Mercury 50-125hp
Force 75-120hp 96-99
Cross Ref #:
15985A02,
\$80.25 D64L20R



50917
Skeg Kit, Gear Hsg
Force 90, 120, 150hp
1990-1994
Cross Ref #:
FK719059,
\$116.00 D92L80R



821829
Water Screen, Cav Plate
Mercury 30-50hp 1994-06
Force 40-50hp 1995-98
Cross Ref #:
821829,
\$8.40 D5L60R



RS2
Skeg 10 inch
Outboards 85-140hp
Cross Ref #:
,
\$26.99 D15L80R



RS3
Skeg 7 inch
Outboards 40-80hp
Cross Ref #:
,
\$26.99 D15L80R