

Gearcase Breakdowns

Bigfoot 60/L3 70-90hp 87-06



Chrysler Force
Honda
Johnson Evinrude
Mercury
Suzuki
Tohatsu
Yamaha
Rigging & Shop Supplies

1



18-1157
Bearing Needle Forward Gear
X-ref # 31-30895T
Retail: \$12.59 D7L61R

2



3.125" O. D.

18-1156
Roller Bearing, Tapered
X-ref # 31-30894A1
Retail: \$41.28 D24L06R

3



43040
Bearing w/Carrier, Driveshaft
X-ref # 43040T1
Retail: \$51.92 D41L53R

4



18-1118
Bearing, Driveshaft
X-ref # 31-42677A1
Retail: \$37.49 D28L12R

5



18-1112
Bearing, Thrust Reverse
X-ref # 31-12576
Retail: \$18.49 D12L02R

6



18-1113
Bearing, Reverse Gear
X-ref # 31-12578T
Retail: \$22.49 D16L87R

7

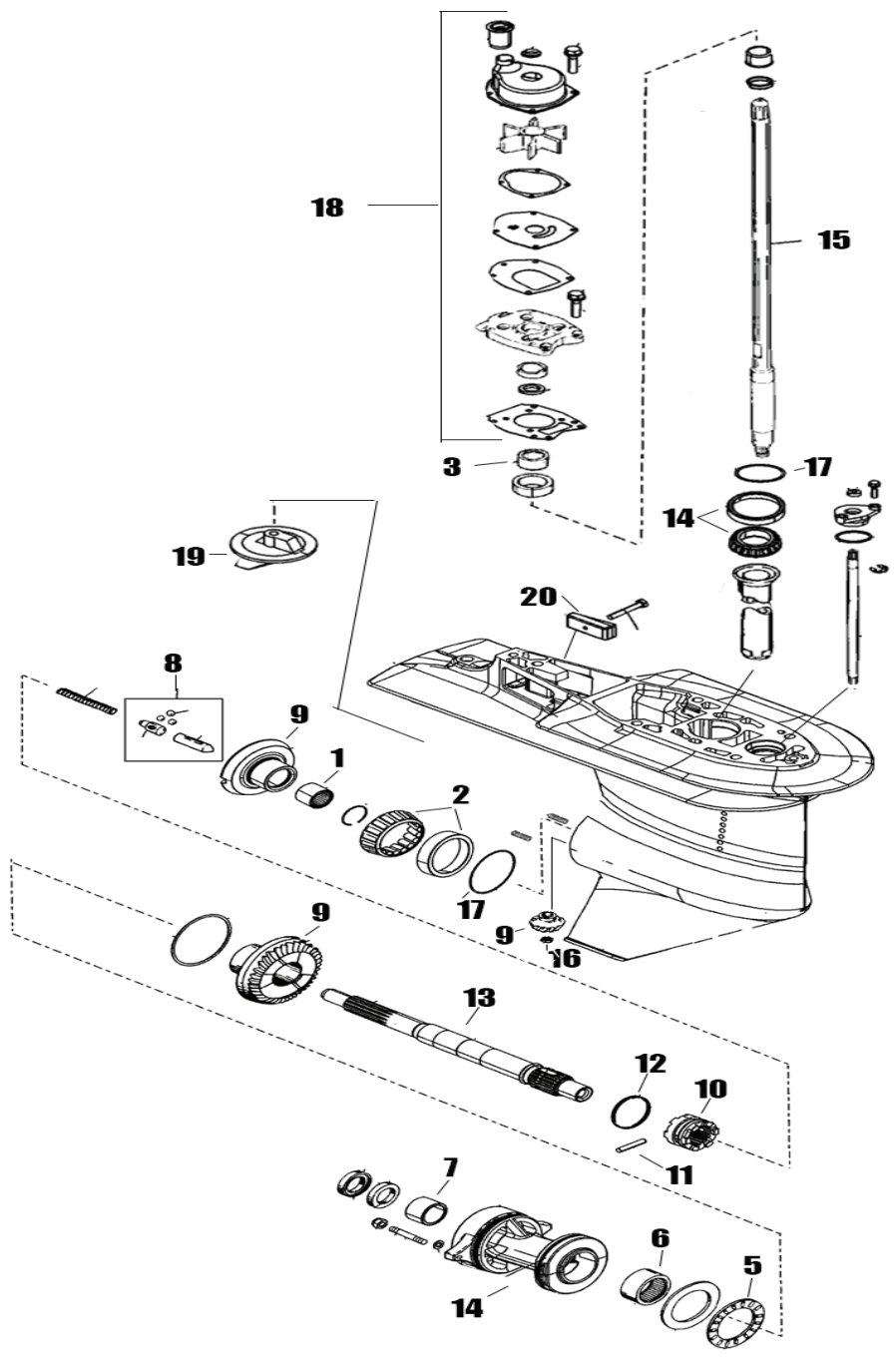


18-1158
Bearing, Propshaft Needle
X-ref # 31-30956T, 91053-ZW1
Retail: \$12.68 D7L61R

8



11182
Cam Follower Kit, Shift
X-ref # 850315A 1
Retail: \$36.62 D21L97R



Chrysler
Force

Honda

Johnson
Evinrude

Mercury

Suzuki

Tohatsu

Yamaha

Rigging &
Shop Supplies



12635
Gear, Reverse 3 Jaw Clutch
X-ref # 43-12635T
Retail: \$278.92 D223L13R



44484
Gear, Pinion 13 Tooth
X-ref # 43-44484T
Retail: \$195.83 D156L65R



12634
Gear, Forward
X-ref # 43-12634T02
Retail: \$374.92 D299L93R



850034T
Gear, Reverse 2.31
X-ref # 43-850034T
Retail: \$322.33 D251L53R



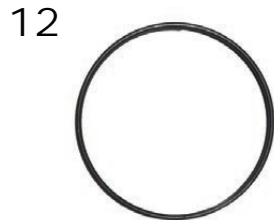
18-2236
Clutch Dog, 3 Jaw Reverse
X-ref # 52-822539
Retail: \$185.41 D89L25R



50048
Clutch Dog, 6 Jaw Reverse
X-ref # 52-850048
Retail: \$201.83 D161L46R



18-2357
Cross Pin, Clutch Dog
X-ref # 17-30632
Retail: \$2.85 D1L29R



65893
Clutch Dog Spring
X-ref # 24-30893
Retail: \$1.21 DL63R



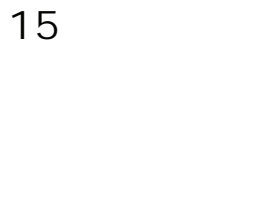
11153
Propshaft, 3 Jaw Rev Gear
X-ref # 44-12238T
Retail: \$557.43 D334L46R



11155
Propshaft, 6 Jaw Rev Gear
X-ref # 44-850308
Retail: \$534.00 D400L50R



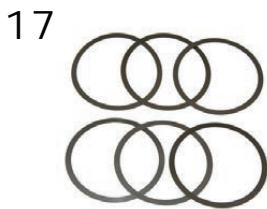
11412
Bearing Carrier, Prop w/Seals
X-ref # 12596T 2
Retail: \$208.87 D125L32R



43031A1
20" Drive Shaft
X-ref # 45-43031A1
Special Order Part



64460
Nut & Washer, Pinion Gear
X-ref # 11-35921, 12-92721
Retail: \$5.25 D3L67R



44491
Shim Kit, Forward Gear Bearing
X-ref # 15-44491A 1
Retail: \$8.20 D4L92R



3214
Impeller Repair Kit
X-ref # 47-43026Q06
Retail: \$37.49 D20L94R



2624
Seal Kit, Lower Gearcase
X-ref # 26-85090A 2
Retail: \$71.08 D40L95R

Gearcase Breakdowns

75-115hp Optimax 1987-06



Chrysler Force
Honda
Johnson Evinrude
Mercury
Suzuki
Tohatsu
Yamaha
Rigging & Shop Supplies

1



18-1157
Bearing Needle Forward Gear
X-ref # 31-30895T
Retail: \$12.59 D7L61R

2



3.125" O. D.

18-1156
Roller Bearing, Tapered
X-ref # 31-30894A1
Retail: \$41.28 D24L06R

3



43040
Bearing w/Carrier, Driveshaft
X-ref # 43040T1
Retail: \$51.92 D41L53R

4



18-1118
Bearing, Driveshaft
X-ref # 31-42677A1
Retail: \$37.49 D28L12R

5



18-1112
Bearing, Thrust Reverse
X-ref # 31-12576
Retail: \$18.49 D12L02R

6



18-1113
Bearing, Reverse Gear
X-ref # 31-12578T
Retail: \$22.49 D16L87R

7

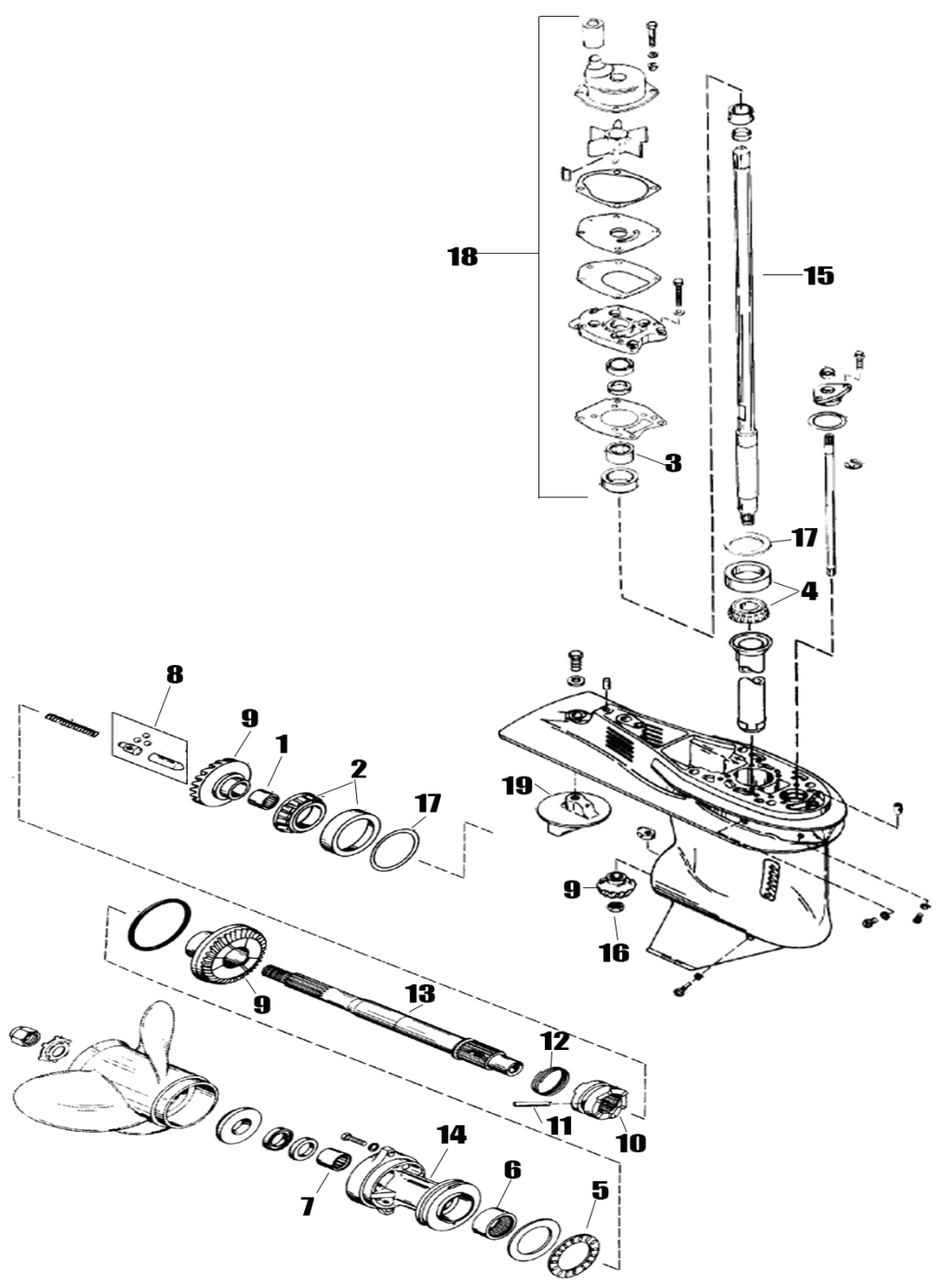


18-1158
Bearing, Propshaft Needle
X-ref # 31-30956T, 91053-ZW1
Retail: \$12.68 D7L61R

8



11182
Cam Follower Kit, Shift
X-ref # 850315A 1
Retail: \$36.62 D21L97R

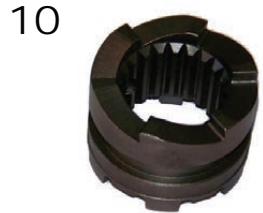




9
850034T
 Gear, Reverse 2.31
 X-ref # 43-850034T
 Retail: \$322.33 D251L53R



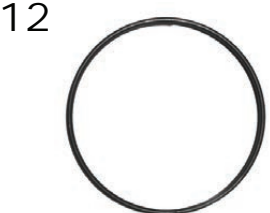
9
850036T
 Gear, Reverse 6 Jaw Clutch
 X-ref # 43-850036T
 Retail: \$228.42 D182L73R



10
50048
 Clutch Dog, 6 Jaw Reverse
 X-ref # 52-850048
 Retail: \$201.83 D161L46R



11
18-2357
 Cross Pin, Clutch Dog
 X-ref # 17-30632
 Retail: \$2.85 D1L29R



12
65893
 Clutch Dog Spring
 X-ref # 24-30893
 Retail: \$1.21 DL63R



13
11155
 Propshaft, 6 Jaw Rev Gear
 X-ref # 44-850308
 Retail: \$534.00 D400L50R

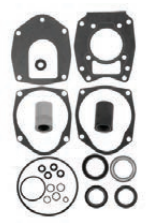


14
11412
 Bearing Carrier, Prop w/Seals
 X-ref # 12596T 2
 Retail: \$208.87 D125L32R



15
9-72302
 Driveshaft, Long
 X-ref # 45-858765T1
 Retail: \$615.50 369L30

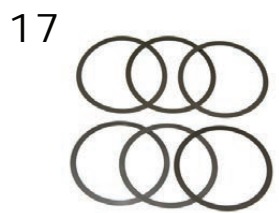
15
43031A1
 20" Drive Shaft
 X-ref # 45-43031A1
 Special Order Part



2626
 Seal Kit, Lower Gearcase
 X-ref # 26-43035A4
 Retail: \$52.49 D36L45R



16
64460
 Nut & Washer, Pinion Gear
 X-ref # 11-35921, 12-92721
 Retail: \$5.25 D3L67R



17
44491
 Shim Kit, Forward Gear Bearing
 X-ref # 15-44491A 1
 Retail: \$8.20 D4L92R



18
3214
 Impeller Repair Kit
 X-ref # 47-43026Q06
 Retail: \$37.49 D20L94R

Gearcase Breakdowns

L4 100-125hp 1988-06



Chrysler Force
Honda
Johnson Evinrude
Mercury
Suzuki
Tohatsu
Yamaha
Rigging & Shop Supplies



18-1157
Bearing Needle Forward Gear
X-ref # 31-30895T
Retail: \$12.59 D7L61R



18-1156
Roller Bearing, Tapered
X-ref # 31-30894A1
Retail: \$41.28 D24L06R



43040
Bearing w/Carrier, Driveshaft
X-ref # 43040T1
Retail: \$51.92 D41L53R



18-1118
Bearing, Driveshaft
X-ref # 31-42677A1
Retail: \$37.49 D28L12R



18-1112
Bearing, Thrust Reverse
X-ref # 31-12576
Retail: \$18.49 D12L02R



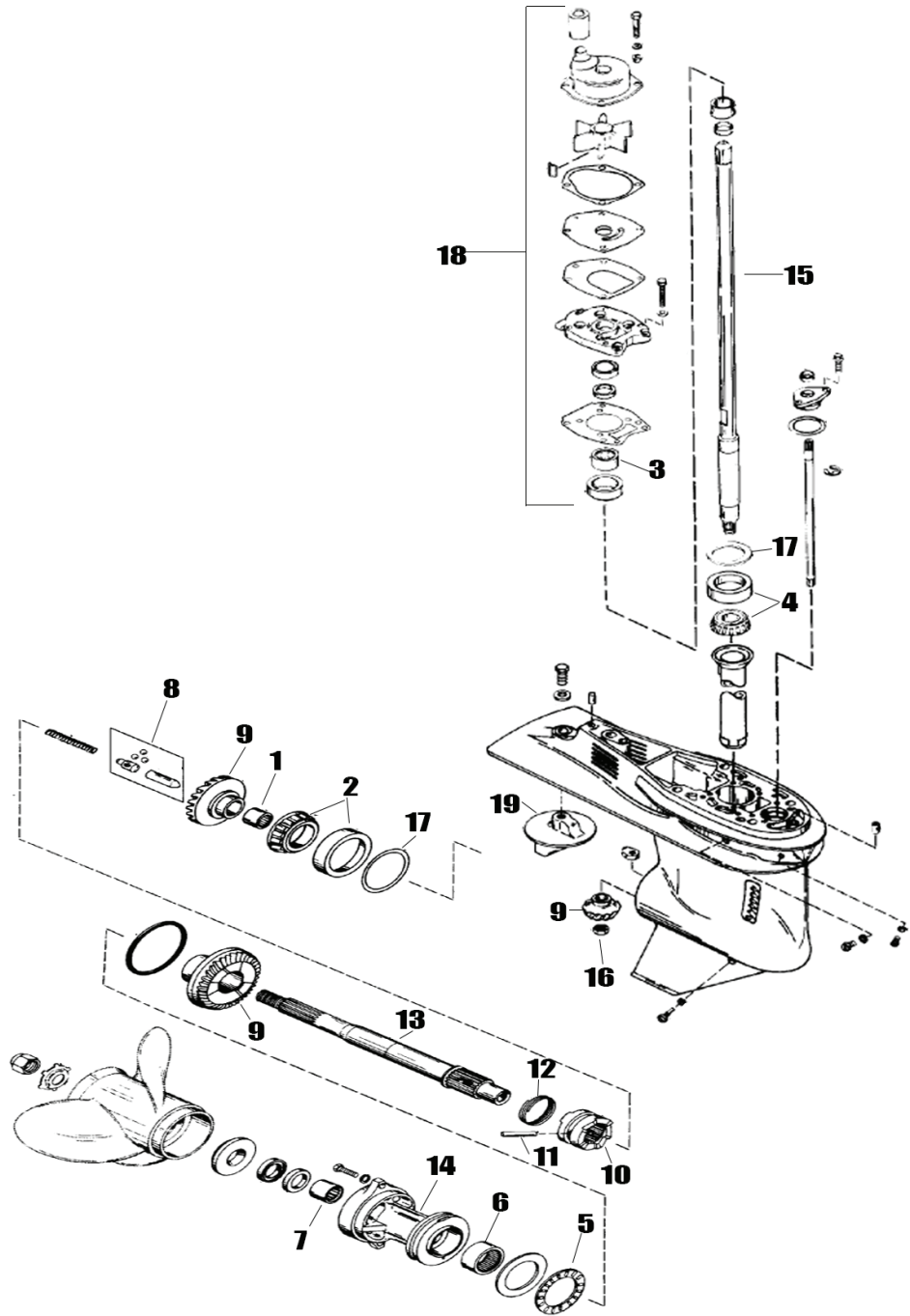
18-1113
Bearing, Reverse Gear
X-ref # 31-12578T
Retail: \$22.49 D16L87R



18-1158
Bearing, Propshaft Needle
X-ref # 31-30956T, 91053-ZW1
Retail: \$12.68 D7L61R



11182
Cam Follower Kit, Shift
X-ref # 850315A 1
Retail: \$36.62 D21L97R



Chrysler
Force

Honda

Johnson
Evinrude

Mercury

Suzuki

Tohatsu

Yamaha

Rigging &
Shop Supplies

9



881259

Gear Set, Fwd/Pinion/Rev 3 Jaw
X-ref # 43-19672A 1
Retail: \$789.83 D601L73R

9



850036T

Gear, Reverse 6 Jaw Clutch
X-ref # 43-850036T
Retail: \$228.42 D182L73R

10



18-2236

Clutch Dog, 3 Jaw Reverse
X-ref # 52-822539
Retail: \$185.41 D89L25R

10



50048

Clutch Dog, 6 Jaw Reverse
X-ref # 52-850048
Retail: \$201.83 D161L46R

11



18-2357

Cross Pin, Clutch Dog
X-ref # 17-30632
Retail: \$2.85 D1L29R

12



65893

Clutch Dog Spring
X-ref # 24-30893
Retail: \$1.21 DL63R

13



11153

Propshaft, 3 Jaw Rev Gear
X-ref # 44-12238T
Retail: \$557.43 D334L46R

13



11155

Propshaft, 6 Jaw Rev Gear
X-ref # 44-850308
Retail: \$534.00 D400L50R

14



11412

Bearing Carrier, Prop w/Seals
X-ref # 12596T 2
Retail: \$208.87 D125L32R

15



43031A1

20" Drive Shaft
X-ref # 45-43031A1
Special Order Part

16



64460

Nut & Washer, Pinion Gear
X-ref # 11-35921, 12-92721
Retail: \$5.25 D3L67R

17



44491

Shim Kit, Forward Gear Bearing
X-ref # 15-44491A 1
Retail: \$8.20 D4L92R

18



3214

Impeller Repair Kit
X-ref # 47-43026Q06
Retail: \$37.49 D20L94R



2626

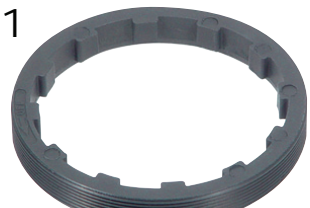
Seal Kit, Lower Gearcase
X-ref # 26-43035A4
Retail: \$52.49 D36L45R

Gearcase Breakdowns

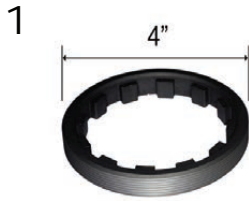
V6 2.0-2.5L 135-200hp 86-09



Chrysler Force
Honda
Johnson Evinrude
Mercury
Suzuki
Tohatsu
Yamaha
Rigging & Shop Supplies



1
3751
Spanner Nut, Bearing Carrier
X-ref # 79448
Retail: \$18.89 D11L55R



1
3750
Spanner Nut, Small
X-ref # 52699
Retail: \$24.63 D13L23R



2
2299
Tab Washer, Bearing Carrier
X-ref # 14-79447
Retail: \$8.73 D4L61R



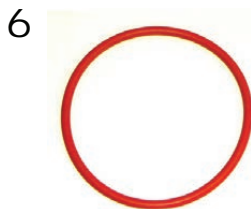
3
238
Oil Seal, Crankshaft/Propshaft
X-ref # 26-76868
Retail: \$8.35 D5L35R



4
18-1158
Bearing, Propshaft Needle
X-ref # 31-30956T, 91053-ZW1
Retail: \$12.68 D7L61R



5
43567
Carrier, Propshaft Bearing
X-ref # 43567T 1
Retail: \$194.11 D126L10R



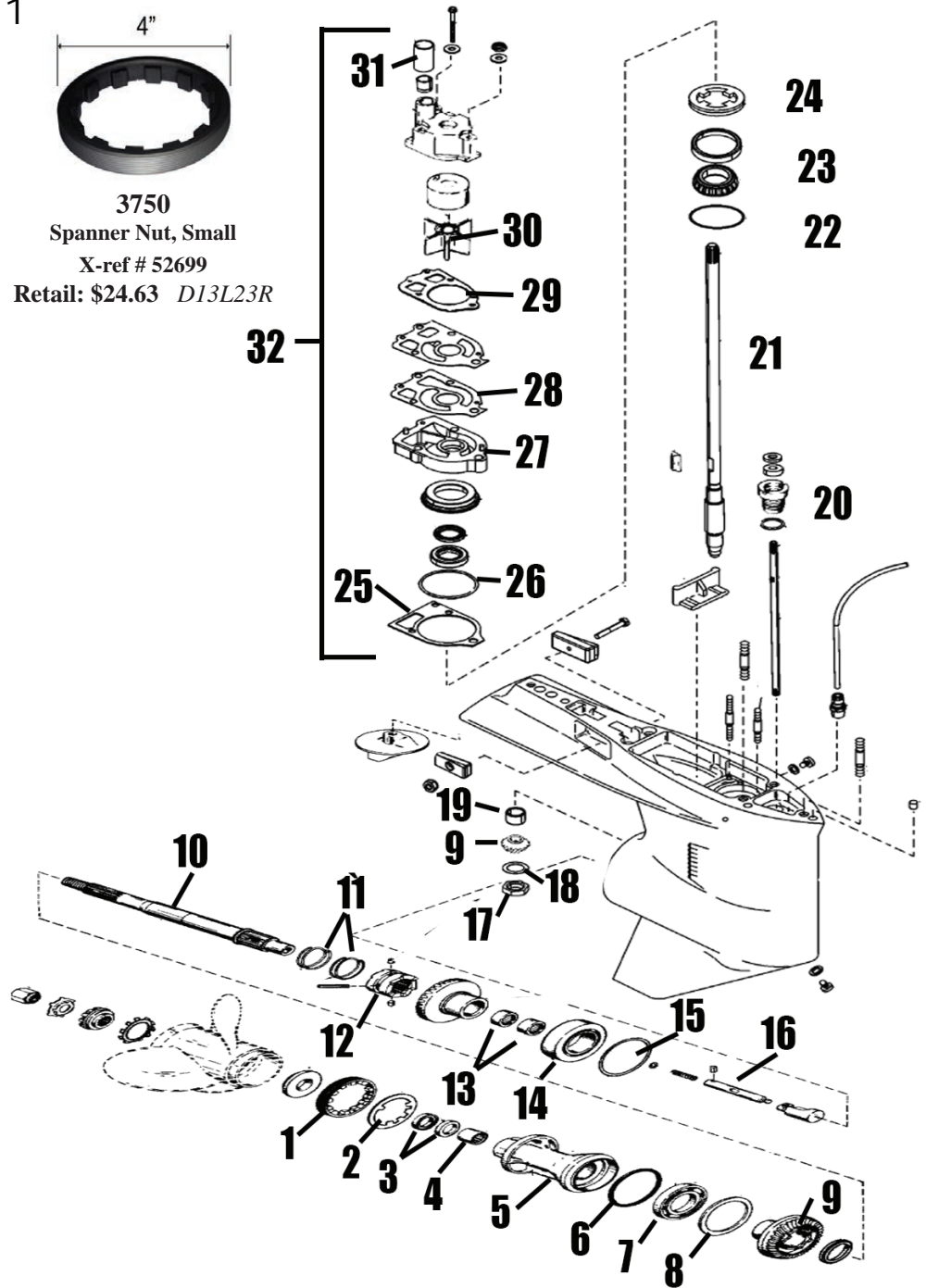
6
217
O Ring, Bearing Carrier
X-ref # 25-31534
Retail: \$3.14 D1L83R



7
18-1155
Bearing, Ball Reverse Gear
X-ref # 30-88957T
Retail: \$32.71 D19L44R



8
64100
Reverse Gear Thrust Ring
X-ref # 68100 1
Retail: \$11.89 D7L03R





9
803612T2
Gear Set, Fwd/Pin 2.0:1 RH
X-ref # 43-803612T2
Retail: \$413.92 D331L13R



9
2946
Gear Set, Fwd/Pin/Rev 1.87 RH
3 1/2" Race
X-ref # 43-44104T2
Retail: \$577.45 D398L94R



9
2942
Gear Set Fwd/Pin/Rev 1.87 RH
3 1/8" Race
X-ref # 43-803615T2,878613A2
Retail: \$598.49 D419L98R



10
18-2239
Propshaft
X-ref # 44-94148
Retail: \$513.45 333L74



11
78962
Spring, Clutch Cross Pin
X-ref # 24-78962
Retail: \$7.50 D5L00R



12
9-73404
Clutch Dog 2.0:1 & 1.87:1
X-ref # 52-823174T
Retail: \$159.99 95L99



12
2947
Clutch Dog RH & LH
X-ref # 52-859340T
Retail: \$163.42 D82L42R



13
18-1157
Bearing Needle Forward Gear
X-ref # 31-30895T
Retail: \$12.59 D7L61R



14
18-1166
Bearing, Fwd Tapered Roller
X-ref # 31-78172A1
Retail: \$73.66 D43L19R



14
18-1156
Roller Bearing, Tapered
X-ref # 31-30894A1
Retail: \$41.28 D24L06R



15
18-2285
Shim Kit, Forward Gear
X-ref # 15-47397A 1
Retail: \$15.48 D9L00R



16
26420
Rod Detent Kit, Shift Cam
X-ref # 79911A 1
Retail: \$132.80 D79L68R



17
64460
Nut & Washer, Pinion Gear
X-ref # 11-35921, 12-92721
Retail: \$5.25 D3L67R



18
63082
Pinion Nut Washer
X-ref # 12-92721
Retail: \$1.10 DL73R



19
18-1117
Bearing, Pinion
X-ref # 31-42647A 1
Retail: \$29.95 D19L95R



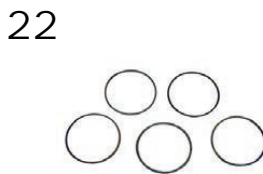
20
18-2155
Bushing, Shift Shaft Seal
X-ref # 23-77631A 2
Retail: \$18.36 D10L86R



21
11161
Driveshaft 20"
X-ref # 45-897624T, 44000 1
Retail: \$516.99 D310L00R



21
897625
Driveshaft, XL 25
X-ref # 45-897625T, 44209
Retail: \$563.67 D450L93R



22
18-2294
Shim Kit, Driveshaft Bearing
X-ref # 15-42637A 1
Retail: \$9.60 D5L08R



23
18-1143
Bearing, Driveshaft Upper
X-ref # 31-36387A1
Retail: \$48.29 D27L68R

Gearcase Breakdowns

V6 2.0-2.5L 135-200hp 86-09



Chrysler Force
Honda
Johnson Evinrude
Mercury
Suzuki
Tohatsu
Yamaha
Rigging & Shop Supplies

24



64519

Retainer Nut, Drive Shaft
X-ref # 824519 1
Retail: \$5.54 D3L05R

25



670

Gasket, Lower Water Pump
X-ref # 27-42631 1
Retail: \$2.01 D1L21R

26



18-2294

Shim Kit, Driveshaft Bearing
X-ref # 15-42637A 1
Retail: \$9.60 D5L08R

27



3419

Base, Water Pump
X-ref # 46-42579A3
Retail: \$26.99 D15L72R

28



671

Gasket, Water Pump Base
X-ref # 27-85608 1
Retail: \$1.58 DL95R

29



672

Gasket, Water Pump Base
X-ref # 27-858524
Retail: \$1.58 DL95R

30



89984

Impeller, Water Pump OE
X-ref # 46-89984T4
Retail: \$24.91 D19L93R

30



3017

Impeller, Water Pump
X-ref # 89984T4
Retail: \$17.80 D10L80R

31



18-3110

Seal, Water Tube
X-ref # 26-38970
Retail: \$3.23 D1L68R

32



3319

Water Pump Kit w/Housing
X-ref # 46-42579A4
Retail: \$46.73 D26L50R



2655

Seal Kit, Lower Gearcase
X-ref # 26-89238A 2
Retail: \$59.31 D34L80R



64183

Drain Screw Washer 10pk
X-ref # 12-191833
Retail: \$12.50 D5L20R



64892

Drain Screw, Magnetic
X-ref # 22-67892A06
Retail: \$6.81 D3L30R



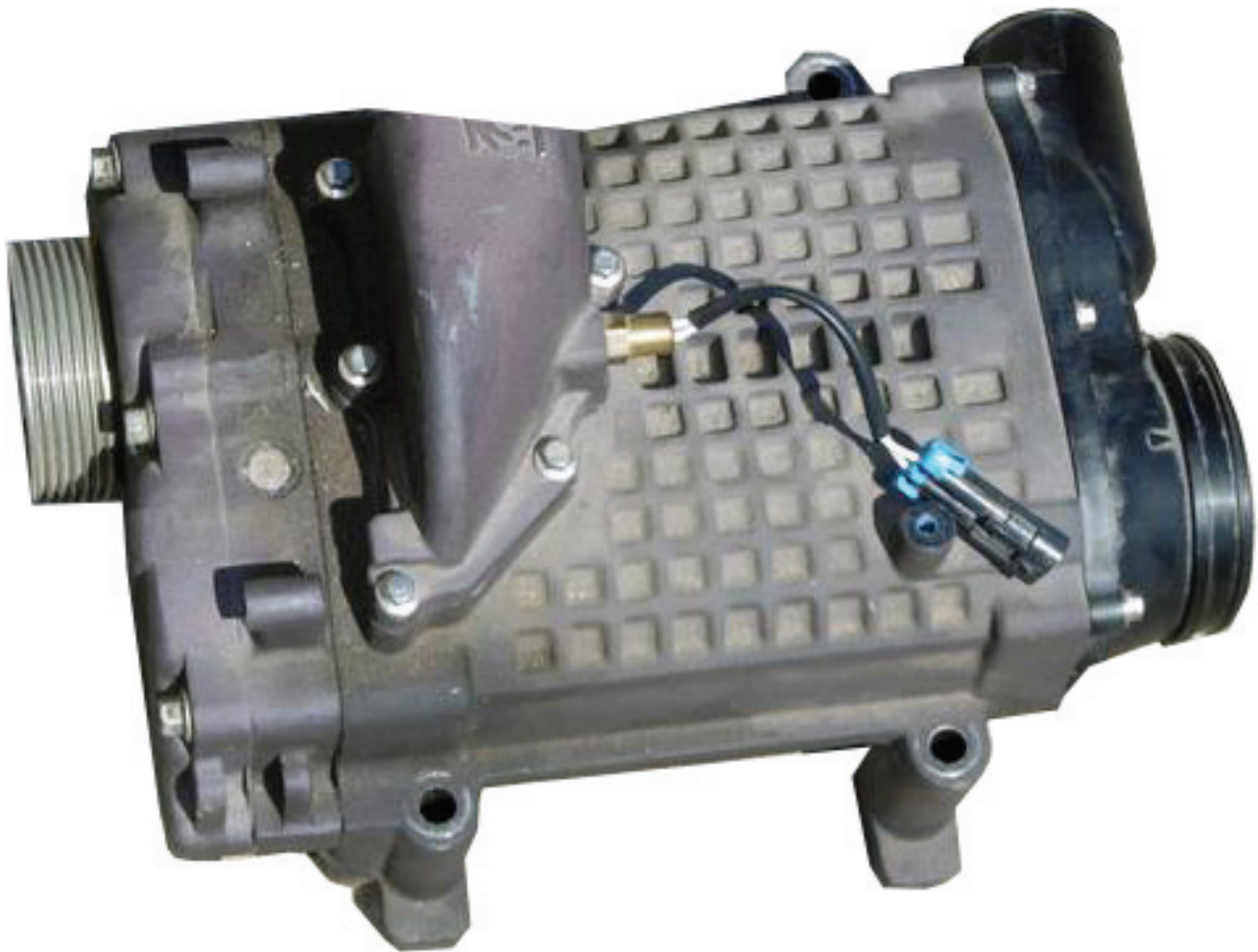
64953

Drain Screw, w/ Gasket
X-ref # 10-79953
Retail: \$2.91 D1L45R

Pro Marine is now offering Remanufactured Verado Superchargers!

Save \$\$ off of buying new or reman Mercury!

Call for pricing and availability.
*** Must have good usable core ***

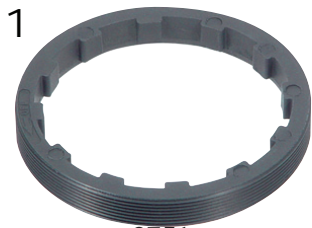


Gearcase Breakdowns

3.0L 200-250hp DFI 1994-06



Chrysler Force
Honda
Johnson Evinrude
Mercury
Suzuki
Tohatsu
Yamaha
Rigging & Shop Supplies



1
3751
Spanner Nut, Bearing Carrier
X-ref # 79448
Retail: \$18.89 D11L55R



2
2298
Tab Washer, Bearing Carrier
X-ref # 14-18323
Retail: \$19.18 D10L43R



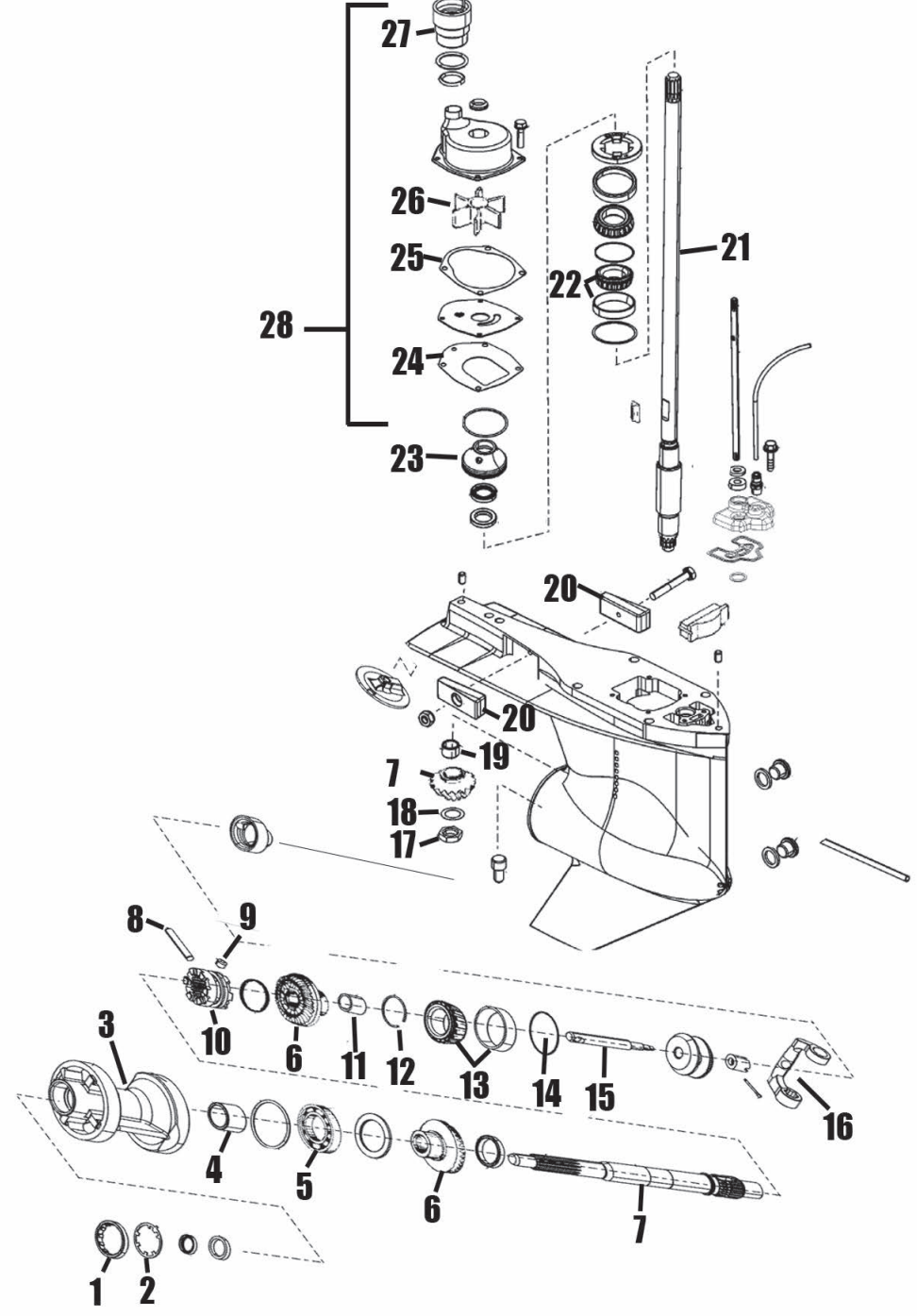
3
818763
Propshaft Bearing Carrier
X-ref # 818763T11
Retail: \$183.74 D110L23R



4
18-1173
Bearing, Forward Gear
X-ref # 31-828437A 2
Retail: \$123.96 D71L00R



5
18-1155
Bearing, Ball Reverse Gear
X-ref # 30-88957T
Retail: \$32.71 D19L44R



6
ME-175
Gear Set Fwd/Pinion/Rev1.75 RH
X-ref # 43-859321A3
Retail: \$599.99 D371L00R



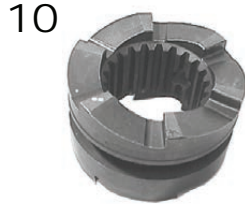
7
64111
PropShaft, Counter Rotation
X-ref # 44-824111
Retail: \$551.25 D441L00R



8
18-2357
Cross Pin, Clutch Dog
X-ref # 17-30632
Retail: \$2.85 D1L29R



9
828356
Pin, Detent
X-ref # 828356
Retail: \$6.56 D4L37R



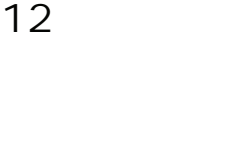
10
64594
Clutch Dog
X-ref # 52-853594T
Retail: \$141.99 D85L00R



10
2947
Clutch Dog RH & LH
X-ref # 52-859340T
Retail: \$163.42 D82L42R



11
18-1157
Bearing Needle Forward Gear
X-ref # 31-30895T
Retail: \$12.59 D7L61R



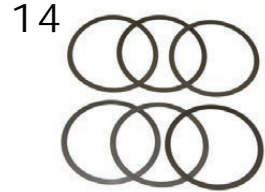
12
856823
Retaining Ring
Special Order Part



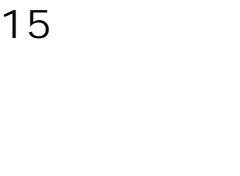
13
18-1156
Roller Bearing, Tapered
X-ref # 31-30894A1
Retail: \$41.28 D24L06R



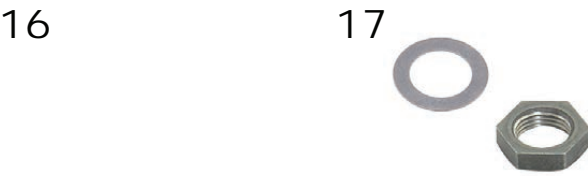
13
18-1173
Bearing, Forward Gear
X-ref # 31-828437A 2
Retail: \$123.96 D71L00R



14
44491
Shim Kit, Forward Gear Bearing
X-ref # 15-44491A 1
Retail: \$8.20 D4L92R



15
19755T7
Spool Assembly
Special Order Part



16
823903
Special Order Part



17
64460
Nut & Washer, Pinion Gear
X-ref # 11-35921, 12-92721
Retail: \$5.25 D3L67R



18
63082
Pinion Nut Washer
X-ref # 12-92721
Retail: \$1.10 DL73R



19
18-1117
Bearing, Pinion
X-ref # 31-42647A 1
Retail: \$29.95 D19L95R



20
6068K
Anode, Side Pocket Kit Alum
X-ref # 826134Q,41109-ZW1
Retail: \$15.95 D10L07R



20
6068Z
Anode, Side Pocket Zinc 2 Req
X-ref # 826134Q,41109-ZW1
Retail: \$7.00 D4L58R



21
81938
Driveshaft 20" Long
X-ref # 45-881938
Retail: \$333.25 D266L60R



21
81942
Driveshaft 25" X Long
X-ref # 45-881942
Retail: \$334.75 D267L80R

Note on Driveshafts:
We do not carry the Stub Shaft driveshaft for this gearcase. You must order the complete shaft

Gearcase Breakdowns

3.0L 200-250hp DFI 1994-06



Chrysler Force
Honda
Johnson Evinrude
Mercury
Suzuki
Tohatsu
Yamaha
Rigging & Shop Supplies

22 For Single bearing use 18-1143
For Double bearing use both 8939 & 18-1143

18-1143
Bearing, Driveshaft Upper
X-ref # 31-36387A1
Retail: \$48.29 D27L68R

8939
Bearing, Lower Driveshaft
X-ref # 31-48939A 2
Retail: \$29.70 D19L80R

23

18-0557
Seal Carrier, Driveshaft
Uses Retainer Clip
X-ref # 888909A1
Retail: \$41.49 D31L12R

23

65354
Driveshaft Oil Seal Carrier
X-ref # 821759A2, 807929A1
Retail: \$26.20 D14L12R

24

39033
Gasket, Water Pump Plate
X-ref # 27-43033 1
Retail: \$2.41 D1L37R

25

39277
Gasket, Water Pump Base
X-ref # 27-817277
Retail: \$2.08 D1L24R

26

3056
Impeller, Water Pump
X-ref # 430262
Retail: \$18.85 D11L49R

27

832942A1
Coupling, Water Tube
X-ref # 832942A1
Retail: \$22.20 D14L80R

64183
Drain Screw Washer 10pk
X-ref # 12-191833
Retail: \$12.50 D5L20R

64892
Drain Screw, Magnetic
X-ref # 22-67892A06
Retail: \$6.81 D3L30R

64953
Drain Screw, w/ Gasket
X-ref # 10-79953
Retail: \$2.91 D1L45R

28 For Water Pump / Impeller Kits see chart in cooling Section.

For Seal Kit see Seal Kit chart.